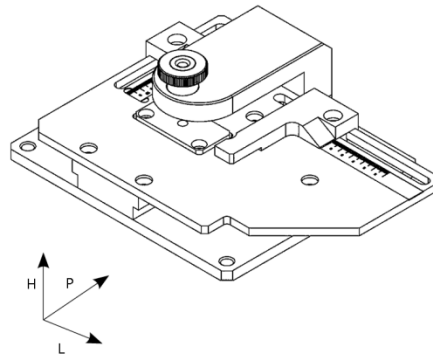


Product Datasheet

UBF1010

Simple and intuitive in their utilisation, they enable easy bending and drilling operations. Equipped with adjustment devices than ensure dimensional consistency of standard parts.



Main

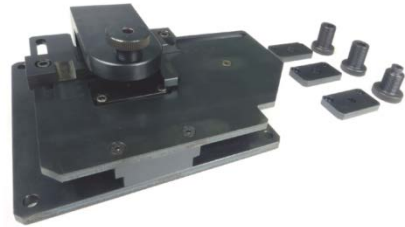
| | |
|--------------------|-----------------------------|
| Family | Hand tools for flexible bar |
| Version | Hand drilling tool |
| Code | UBF1010 |
| Reference | UFB-BFX |
| Number per package | 1 |
| Weight (kg) | 7.1 |
| H (mm) | 65 |
| P (mm) | 175 |
| L (mm) | 240 |

The indicated dimensions refers to the machine body without lever

Application Advantages

The simplicity of the tools ensures they are safe and easy to use.

- fast and accurate processing
- no need for an external power supply
- easy to carry out work “on site”
- easy to fit on a work bench



Hand tool to drill insulated flexible bars

It allows optimal drilling of the terminal intended to the connection, without burrs or deformation of the individual copper laminates

- for holes Ø 6.5 – Ø 8.5 – Ø10.5 – Ø 12.5
- used to drill one or more holes on the bar
- Can be used on laminate ranging from 20 mm to 120 mm width
- Quick dies change for the various hole diameters
- Can be used with column or hand drilling tool

Hand tool to bend and to twist insulated flexible bars

Allows bars to be machined into appropriate shapes to optimize the lengths and overall dimensions of the connections

Bending

- Can be used on flexible bars up to 120x10x1 cross-sections
- Quick flexible bar tightening
- Goniometer to set the bending angle
- Blocking for repeated work on the same bending angle
- No damage to the insulation
- Little effort required thanks to the lever

Twisting

- Can be used up to 120x10x1 cross-sections.
- Allows for a change of plan of the connection without damage to the insulation.

Please contact Teknomega for non-specified tolerances.