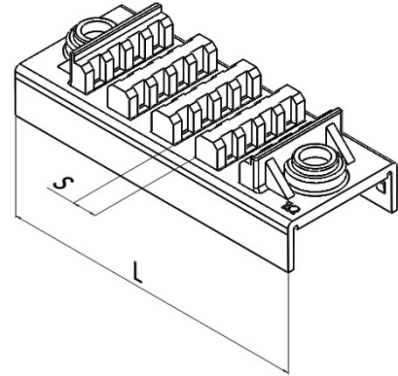
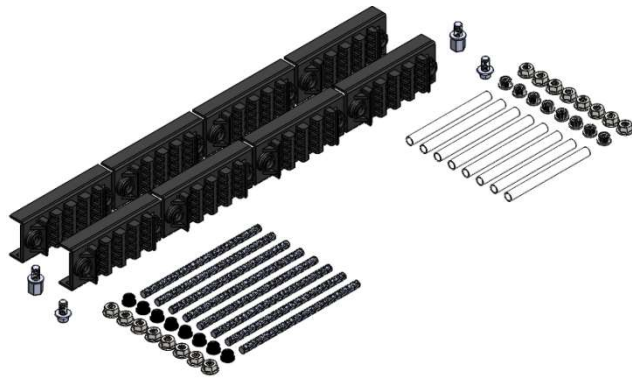


Product Datasheet

TOP1053



Main

Family	Bar supports
Version	Blocks and screw set TOP 4/10
Code	TOP1053
Reference	TOP 4/10TN
Number per package	1
Type	T+N
No. of blocks	8
No. of tie-rods	8
No. of bars	1 ÷ 4
s (mm)	10
bar min-max H (mm)	30-120
L (mm)	125

Technical Features

Rated Voltage: 1000 V AC / 1500 V DC

Adjustable distance between phases

Exceptional resistance to short-circuits

Bar thickness 10 mm

Max working temperature: 125 °C

The TOP1052 and TOP1053 kits also included PA12 tubes for M8 tie-rod insulation



Insulating blocks

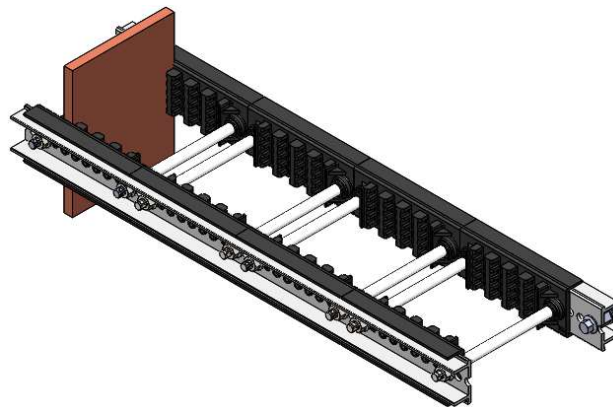
Made in PA6,6 reinforced 35% Fiberglass

Self-extinguishing UL94-V0

Color: black

Certifications

- Compliant with standard IEC 61439-2
- Q TOP was tested in ACAE laboratory IA01 on electrical and mechanical resistance properties
- CERTIFICATES ACAE-LOVAG No.:
 - 15.001 - A 15.002 - A015.003



Please contact Teknomega for non-specified tolerances.

Disclaimer: This documentation is not intended as a substitute for and is not to be used for determining suitability or reliability of these products for specific user applications