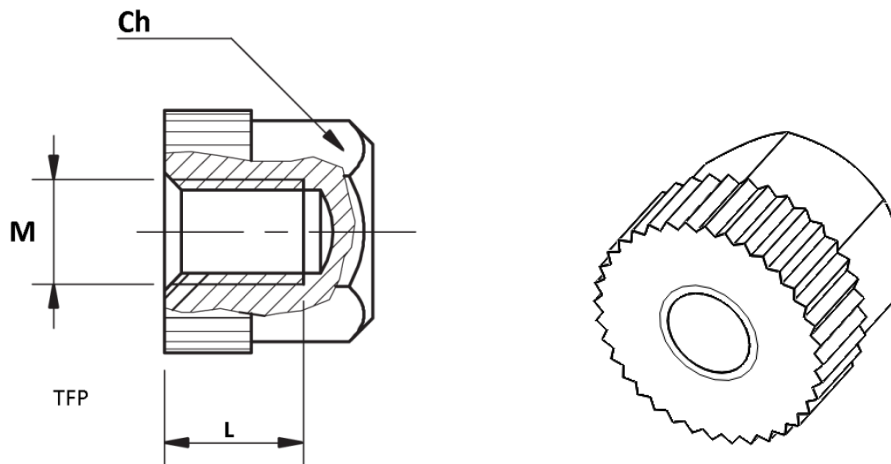


Product Datasheet

TFP1005



Main

Family	Wiring accessories
Version	Plastic caps
Code	TFP1005
Reference	TFP M6
Number per package	50
Bolt size	M6
Ch (mm)	11
L (mm)	8

Technical Features

Material: polystyrene

Self-extinguishing: UL 94-HB

Working temperature: -40 °C ... +110 °C

Insulation voltage: 1000 V

Inserts: galvanized steel



Please contact Teknomega for non-specified tolerances.