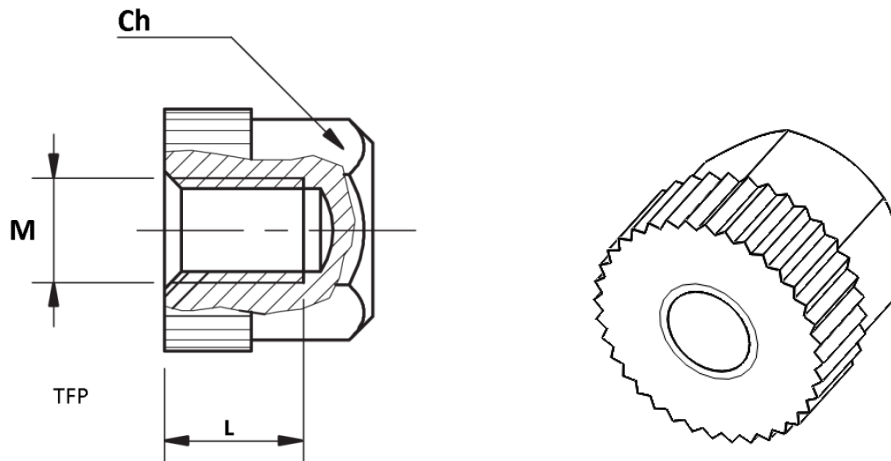


## Product Datasheet

### TFP1000



#### Main

Family	Wiring accessories
Version	Plastic caps
Code	TFP1000
Reference	TFP M5
Number per package	50
Bolt size	M5
Ch (mm)	11
L (mm)	8

### Technical Features

**Material:** polystyrene

**Self-extinguishing:** UL 94-HB

**Working temperature:** -40 °C ... +110 °C

**Insulation voltage:** 1000 V

**Inserts:** galvanized steel



Please contact Teknomega for non-specified tolerances.