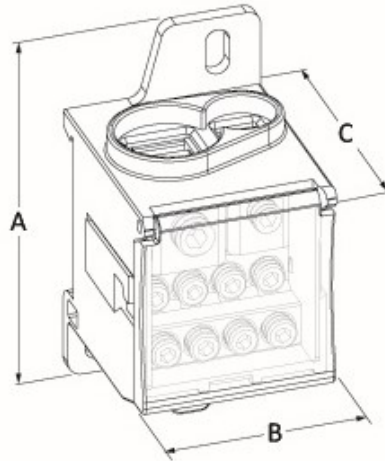


## Product Datasheet

### RPU3005



#### Main

Family	Compact Distribution Blocks		
Version	1 Pole		
Code	RPU3005		
Reference	RPU 160-8 S		
Number per package	1		
In(A)	IEC/EN	160 A	
	UL	175 A	
Weight (Kg)	0.170		
A (mm)	75		
B (mm)	40		
C (mm)	48		
Fix. holes space (mm)	62		
Continuous working temp. (°C)	Max +85 °C		

## Technical Features

**Insulating body:** PA 6, UL 94-V0, gray RAL 7035

**Cover:** PC, UL 94-V2, transparent yellow, manually openable

**Conduction block:** tinned copper

**Clamps:** galvanized steel and Al alloy

**Screws:** tin-plated steel

### Halogen free

Index protection IP20 if: on IN → COFLEX with L=9 mm and s≥6x0.8 mm or COFLEX L=13 mm and s=10x0.5 mm & if on IN/OUT → wire section≥10 mm<sup>2</sup>; otherwise, Index protection IP10

Quick hook-up on DIN rails

**Compliant with standard EN 60947-7-1**

**UL 1059 standard recognized**

**Rated voltage: 1000 V AC/1500 V DC**

## Technical Data

Type	1 Pole, 8 Outputs						
In: 160 A	No.	Dim. (mm)	COFLEX* L (mm)	Stripped wire (mm <sup>2</sup> )	Wire with ferrule (mm <sup>2</sup> )	Torque (Nm)	Screw
IN →	1	13.5 x 11.5	9-13	10 to 70	10 to 50	10	M10
IN→/ ← OUT	1	8.7 x 6	-	6 to 25	6 to 16	3	M6
← OUT	8	∅ 6.8	-	2.5 to 25	2.5 to 16	3	M6
I <sub>cw</sub> (kA)	11						
I <sub>pk</sub> (kA)	30						
U <sub>i</sub> (V)	1000						

\*See COFLEX technical features

**I<sub>cc pk</sub>** = Short-circuit current peak value expressed in kA

**I<sub>cw</sub>** = Effective value of short-circuit current, duration equal to 1 second, expressed in kA as per standard IEC 60947-7-1

**U<sub>i</sub>** = Nominal Insulation voltage



Please contact Teknomega for non-specified tolerances.