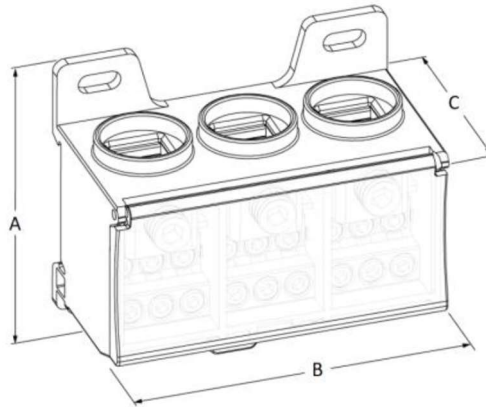


Product Datasheet

RPT3000



Main

| | | |
|-------------------------------|-----------------------------|-------|
| Family | Compact Distribution Blocks | |
| Version | 3 Poles | |
| Code | RPT3000 | |
| Reference | RPT 125-6 S | |
| Number per package | 1 | |
| In(A) | IEC/EN | 125 A |
| | UL | 130 A |
| Weight (Kg) | 0.319 | |
| A (mm) | 75 | |
| B (mm) | 85 | |
| C (mm) | 48 | |
| Fix. holes space (mm) | 63 and 38 | |
| Continuous working temp. (°C) | Max +85 °C | |

Technical Features

Insulating body: PA 6, UL 94-V0, gray RAL 7035

Cover: PC, UL 94-V2, transparent yellow, manually openable

Conduction block: brass

Clamps: galvanized steel and Al alloy

Screws: tin-plated steel

Halogen free

Direct connection with COFLEX

Index protection IP20 if: on IN → COFLEX with L=9 mm and s≥6x0.8 mm; otherwise, Index protection IP10

Quick hook-up on DIN rails

Compliant with standard EN 60947-7-1

UL 1059 standard recognized

Technical Data

| Type | 3 Poles, 6 Outputs | | | | | | |
|----------------------|--------------------|-----------|----------------|----------------------------------|--------------------------------------|-------------|-------|
| In: 125 A | No. | Dim. (mm) | COFLEX* L (mm) | Stripped wire (mm ²) | Wire with ferrule (mm ²) | Torque (Nm) | Screw |
| IN → | 1 | 11 x 9 | 9 | 10 to 50 | 10 to 35 | 6 | M8 |
| ← OUT | 6 | ∅ 6.8 | - | 2.5 to 25 | 2.5 to 16 | 3 | M6 |
| I _{cw} (kA) | 4.4 | | | | | | |
| I _{pk} (kA) | 30 | | | | | | |
| U _i (V) | 1000 | | | | | | |

*See COFLEX technical features

I_{cc pk} = Short-circuit current peak value expressed in kA

I_{cw} = Effective value of short-circuit current, duration equal to 1 second, expressed in kA as per standard IEC 60947-7-1

U_i = Nominal Insulation voltage



Please contact Teknomega for non-specified tolerances.