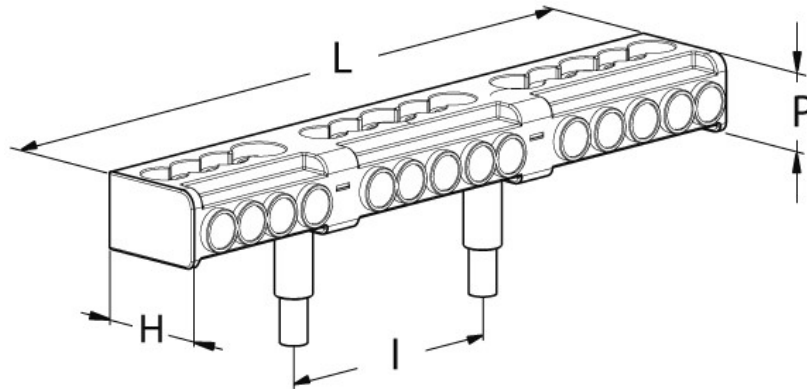


Product Datasheet

RPQ2017



Main

Family	Distribution Blocks
Version	Neutral Bar
Code	RPQ2017
Reference	RPN 160-14
Number per package	1
L (mm)	161
H (mm)	27
P (mm)	17
Fix. hole space I (mm)	57
Weight (g)	190
Continuous working temperature (°C)	Max +85 °C

Technical Features

Insulating body: PC, UL 94-V2, transparent yellow

Conduction block: Brass

Screws: Galvanized steel

Halogen free

Index protection IP20

Compliant with standard IEC 60947-7-1

Advantages

Improved wiring capacity

Strong mechanical assembly

Direct electrical connection

Compatibility with RPQ1015, RPQ1016, RPQ1017, RPQ1018

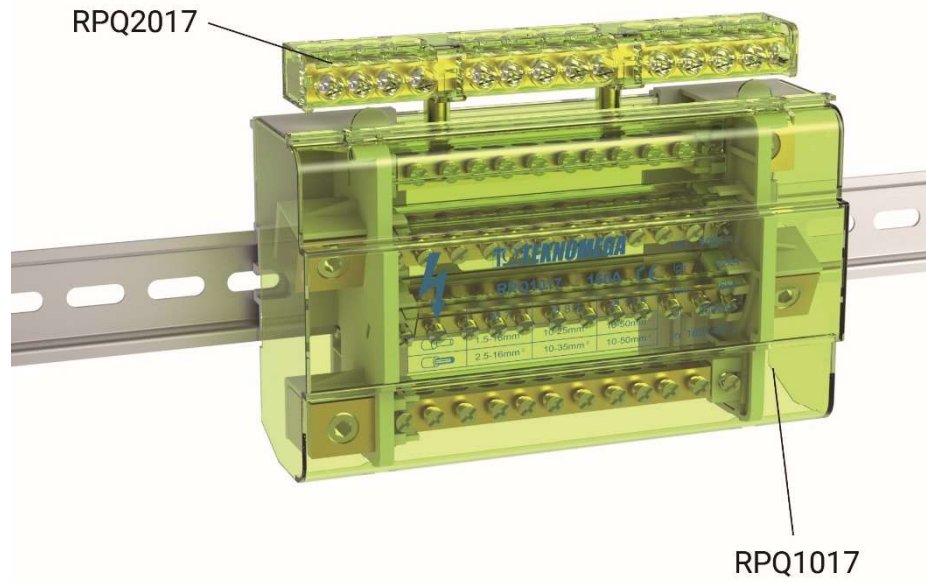
Technical Data

Type	Neutral, 14 Outputs					
In: 160 A	No.	Dim. (mm)	Stripped wire (mm ²)	Wire with ferrule (mm ²)	Torque (Nm)	Screw
← OUT	4	∅ 8.5	10 to 35	10 to 16	2	M5
← OUT	10	∅ 7	2.5 to 25	2.5 to 25	2	M5
I _{cw} (kA)	9					
I _{pk} (kA)	22					
U _i (V)	1000					

I_{cc pk} = Short-circuit current peak value expressed in kA

I_{cw} = Effective value of short-circuit current, duration equal to 1 second, expressed in kA as per standard IEC 60947-7-1

U_i = Nominal Insulation voltage



Please contact Teknomega for non-specified tolerances.