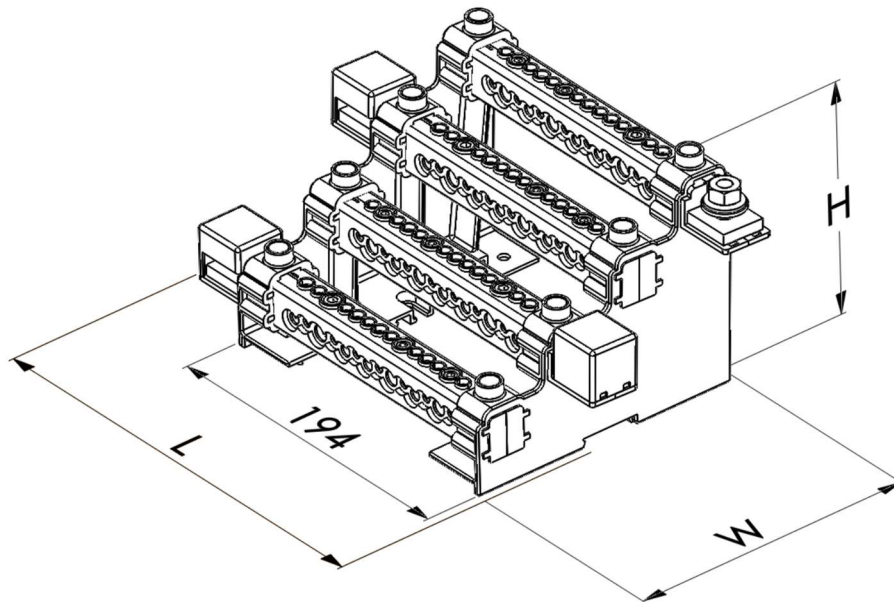


Product Datasheet

RPQ1050



Main

Family	Distribution Blocks
Version	4 Poles 400 A
Code	RPQ1050
Reference	RPQ 400-14
Number per package	1
L (mm)	264
H (mm)	141
W (mm)	165
Fix. hole space (mm)	128
Weight (g)	2073
Continuous working temperature (°C)	Max +85 °C

Technical Features

Insulating body: PA 6, UL 94-V0, gray RAL 7035

Cover: PC, UL 94-V2, transparent yellow, manually removable

Conduction block: Tinned copper

Screws: Galvanized steel

Halogen free

Index protection IP10

Quick hook-up on DIN rails or on panels with screws

Compliant with standard IEC 60947-7-1

Advantages

Easy connection: inputs are separated from the outputs

Input connections for: COFLEX, COFLEX PLUS and cable lugs

Cable wiring for both sides with or without terminals

Easy inspection of the wiring cable and verification of the connections

Technical Data

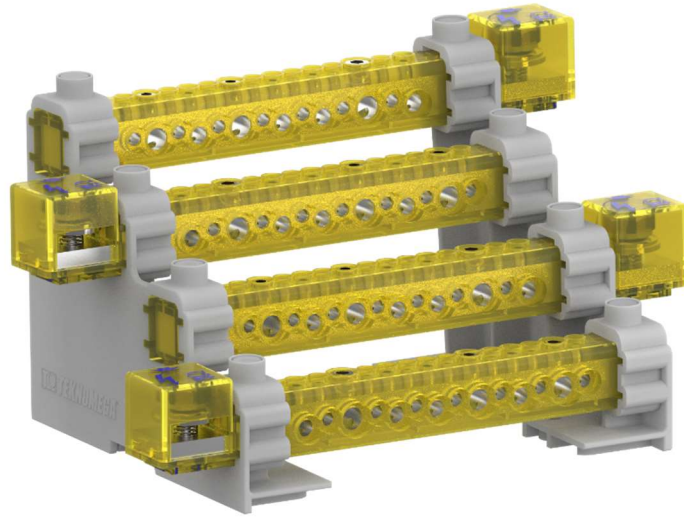
Type	4 Poles, 14 Outputs					
In: 400 A	No.	Dim. (mm)	Stripped wire (mm ²)	Wire with ferrule (mm ²)	Torque (Nm)	Screw
IN →	1	28.1 x 8.2	35 to 120 (*)	35 to 120 (*)	20	M10
← OUT	1	∅ 9.5	10 to 50	10 to 35	10	M10
← OUT	2	∅ 9	10 to 35	10 to 25	6	M8
← OUT	4	∅ 7	6 to 25	6 to 16	3	M6
← OUT	7	∅ 5.5	2.5 to 16	2.5 to 10	2	M5
I _{cw} (kA)	30					
I _{pk} (kA)	53					
U _i (V)	1000					

(*) Possibility to use cable lugs or COFLEX (recommended size: 4X20X1 and 3X24X1)

I_{cc pk} = Short-circuit current peak value expressed in kA

I_{cw} = Effective value of short-circuit current, duration equal to 1 second, expressed in kA as per standard IEC 60947-7-1

U_i = Nominal Insulation voltage



Please contact Teknomega for non-specified tolerances.