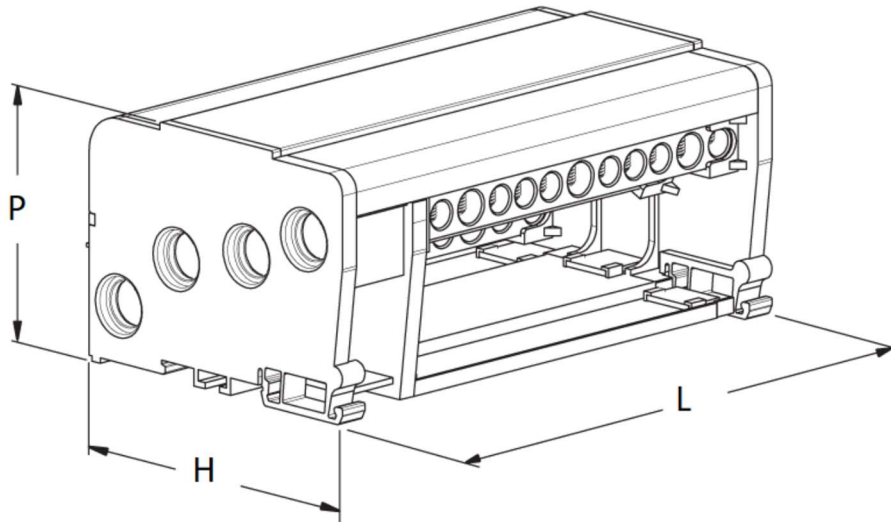


Product Datasheet

RPQ1018



Main

Family	Distribution Blocks
Version	4 Poles 160 A
Code	RPQ1018
Reference	RPQ 160-11 SI
Number per package	1
L (mm)	154
H (mm)	95
P (mm)	67
Fix. hole space (mm)	135
Weight (g)	795
Continuous working temperature (°C)	Max +85 °C

Technical Features

Insulating body: PA 6, UL 94-V0, gray RAL 7035

Cover: PC, UL 94-V2, transparent yellow

Conduction block: Brass

Screws: Galvanized steel

Halogen free

Index protection IP10

Insulation between phases

Front removable protection screen

Quick hook-up on DIN rails

Compliant with standard IEC 60947-7-1

Advantages

Separate inputs

Forged conductors

Modular depth

Version Side Input: orthogonal inputs to outputs

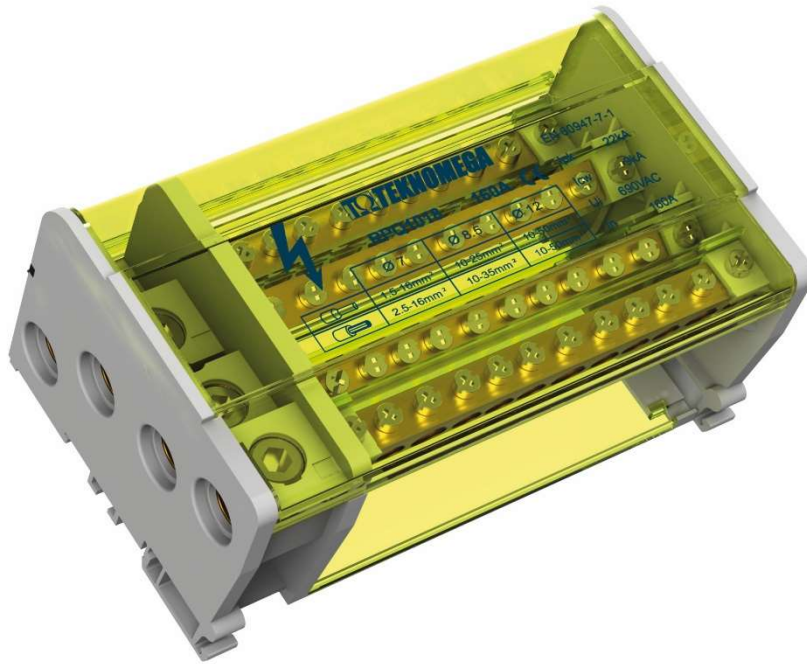
Technical Data

Type	4 Poles, 11 Outputs					
In: 160 A	No.	Dim. (mm)	Stripped wire (mm ²)	Wire with ferrule (mm ²)	Torque (Nm)	Screw
IN →	1	∅ 12	10 to 50	10 to 50	14	M12
← OUT	3	∅ 8.5	10 to 35	10 to 25	2	M5
← OUT	8	∅ 7	2.5 to 16	1.5 to 16	2	M5
I _{cw} (kA)	9					
I _{pk} (kA)	22					
U _i (V)	1000					

I_{cc pk} = Short-circuit current peak value expressed in kA

I_{cw} = Effective value of short-circuit current, duration equal to 1 second, expressed in kA as per standard IEC 60947-7-1

U_i = Nominal Insulation voltage



Please contact Teknomega for non-specified tolerances.

Disclaimer: This documentation is not intended as a substitute for and is not to be used for determining suitability or reliability of these products for specific user applications