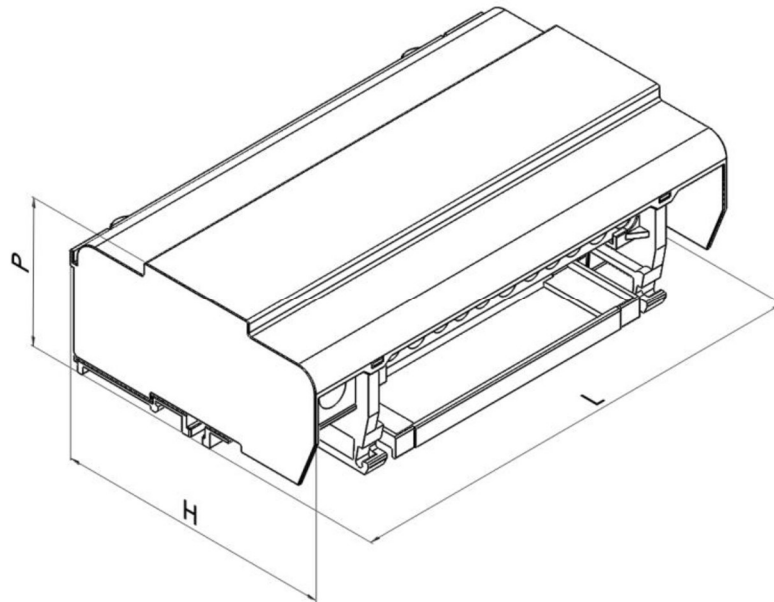


## Product Datasheet

### RPQ1017



#### Main

Family	Distribution Blocks
Version	4 Poles 160 A
Code	RPQ1017
Reference	RPQ 160-11 MS
Number per package	1
L (mm)	176
H (mm)	105
P (mm)	55
Fix. hole space (mm)	163
Weight (g)	780
Continuous working temperature (°C)	Max +85 °C

## Technical Features

**Insulating body:** PA 6, UL 94-V0, gray RAL 7035

**Cover:** PC, UL 94-V2, transparent yellow

**Conduction block:** Brass

**Screws:** Galvanized steel

Index protection IP10

Insulation between phases

Front removable protection screen

Quick hook-up on DIN rails

**Compliant with standard IEC 60947-7-1**

## Advantages

Separate inputs

Forged conductors

Modular depth

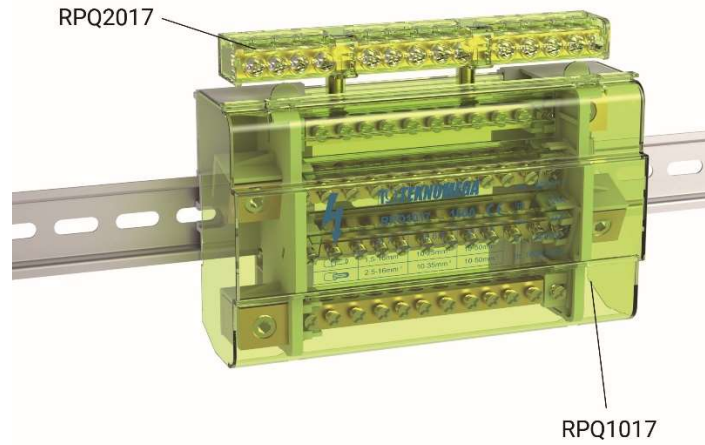
## Technical Data

Type	4 Poles, 11 Outputs					
In: 160 A	No.	Dim. (mm)	Stripped wire (mm <sup>2</sup> )	Wire with ferrule (mm <sup>2</sup> )	Torque (Nm)	Screw
IN →	1	∅ 12	10 to 50	10 to 50	14	M12
← OUT	3	∅ 8.5	10 to 35	10 to 25	2	M5
← OUT	7	∅ 7.2	2.5 to 16	1.5 to 16	2	M5
← OUT	1	∅ 5.5	2.5 to 10	1.5 to 10	2	M5
I <sub>cw</sub> (kA)	9					
I <sub>pk</sub> (kA)	22					
U <sub>i</sub> (V)	1000					

**I<sub>cc pk</sub>** = Short-circuit current peak value expressed in kA

**I<sub>cw</sub>** = Effective value of short-circuit current, duration equal to 1 second, expressed in kA as per standard IEC 60947-7-1

**U<sub>i</sub>** = Nominal Insulation voltage



Please contact Teknomega for non-specified tolerances.