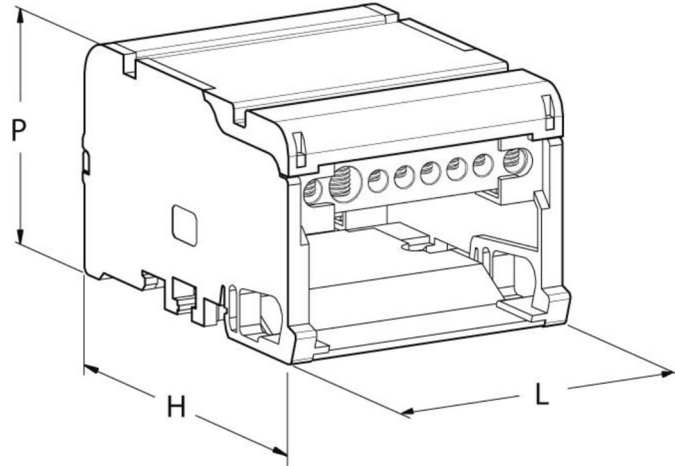


## Product Datasheet

### RPQ0980



#### Main

Family	Distribution Blocks
Version	4 Poles 40 A
Code	RPQ0980
Reference	RPQ 40-08
Number per package	1
L (mm)	66
H (mm)	84
P (mm)	50
Fix. hole space (mm)	45
Weight (g)	165
Continuous working temperature (°C)	Max +85 °C

## Technical Features

**Insulating body:** PA 6, UL 94-V0, halogen free, gray RAL 7035

**Cover:** PC, UL 94-V2, transparent yellow

**Conduction block:** Brass

**Screws:** Galvanized steel

Index protection IP10

Insulation between phases

Front removable protection screen

Quick hook-up on DIN rails

**Compliant with standard IEC 60947-7-1**

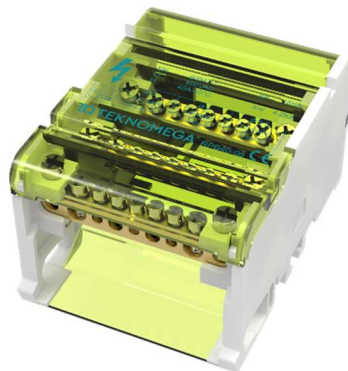
## Technical Data

Type	4 Poles, 8 Outputs					
In: 40 A	No.	Dim. (mm)	Stripped wire (mm <sup>2</sup> )	Wire with ferrule (mm <sup>2</sup> )	Torque (Nm)	Screw
IN →	1	∅ 5.5	2.5 to 10	1.5 to 10	1.2	M4
← OUT	1	∅ 5.5	2.5 to 10	1.5 to 10	1.2	M4
← OUT	2	∅ 4	1.5 to 4	1.5 to 4	0.5	M3
← OUT	2	∅ 4	1.5 to 4	1.5 to 4	1.2	M4
← OUT	3	∅ 3	1.5 to 2.5	1.5 to 2.5	0.5	M3
I <sub>cw</sub> (kA)	2					
I <sub>pk</sub> (kA)	15					
U <sub>i</sub> (V)	1000					

**I<sub>cc pk</sub>** = Short-circuit current peak value expressed in kA

**I<sub>cw</sub>** = Effective value of short-circuit current, duration equal to 1 second, expressed in kA as per standard IEC 60947-7-1

**U<sub>i</sub>** = Nominal Insulation voltage



Please contact Teknomega for non-specified tolerances.