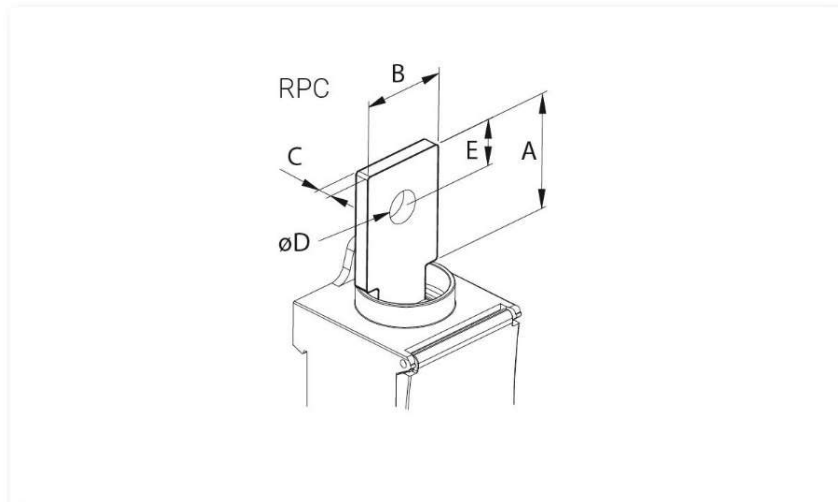


Product Datasheet

RPC3020



Main

Family	Distribution blocks
Version	Terminal entry for RPU
Code	RPC3020
Reference	RPC 500A
Number per package	10
In (A)	500
Weight (kg)	0.125
A (mm)	40
B (mm)	32
C (mm)	6
D (mm)	13
E (mm)	16

Technical Features

Material: Tinned copper

It allows connections between PTBs or Distribution Blocks and Co-Flex or J-Link.

To connect J-links to PTBs or Distribution Blocks the use of RPC adapters is necessary.

Allows direct connection between PTBs or Distribution Blocks and switches.

RPC3020 is compatible with RPU3020.

Note: RPC3020 does not have notched surface, unlike all other RPC series.



Please contact Teknomega for non-specified tolerances.