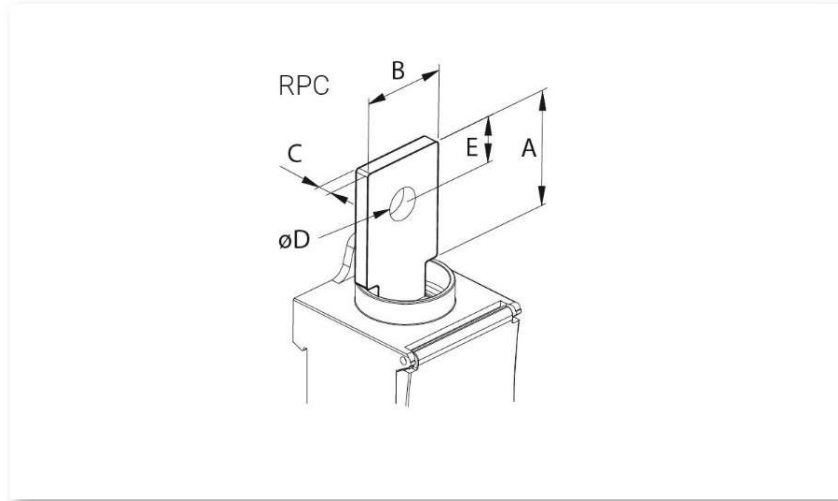


Product Datasheet

RPC3010



Main

Family	Distribution blocks
Version	Terminal entry for RPU
Code	RPC3010
Reference	RPC 250A
Number per package	10
In (A)	250
Weight (kg)	0.064
A (mm)	35
B (mm)	25
C (mm)	4.5
D (mm)	11
E (mm)	12

Technical Features

Material: Tinned copper

It allows connections between PTBs or Distribution Blocks and Co-Flex or J-Link.

To connect J-links to PTBs or Distribution Blocks the use of RPC adapters is necessary.

Allows direct connection between PTBs or Distribution Blocks and switches.

RPC3010 is compatible with RPU3010 and PTB6025.



Please contact Teknomega for non-specified tolerances.