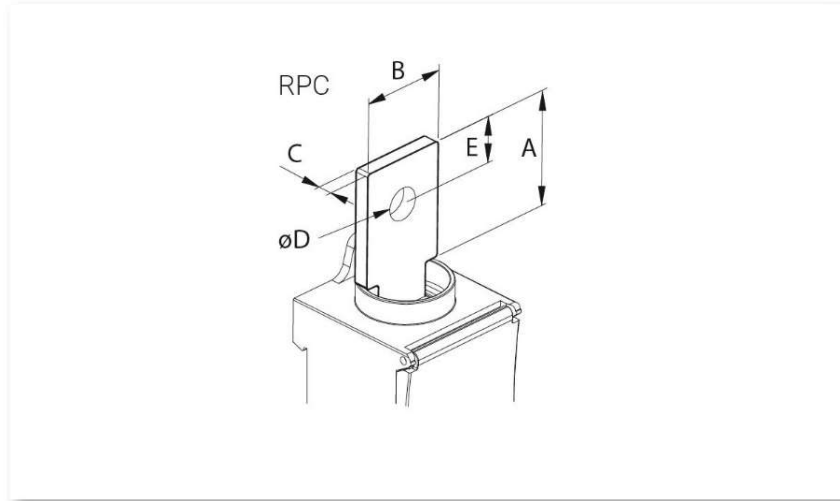


Product Datasheet

RPC3005



Main

Family	Distribution blocks
Version	Terminal entry for RPU
Code	RPC3005
Reference	RPC 160A
Number per package	10
In (A)	160
Weight (kg)	0.042
A (mm)	30
B (mm)	20
C (mm)	4.5
D (mm)	8.5
E (mm)	9

Technical Features

Material: Tinned copper

It allows connections between PTBs or Distribution Blocks and Co-Flex or J-Link.

To connect J-links to PTBs or Distribution Blocks the use of RPC adapters is necessary.

Allows direct connection between PTBs or Distribution Blocks and switches.

RPC3005 is compatible with RPU3005, RPT3005, PTB6020



Please contact Teknomega for non-specified tolerances.