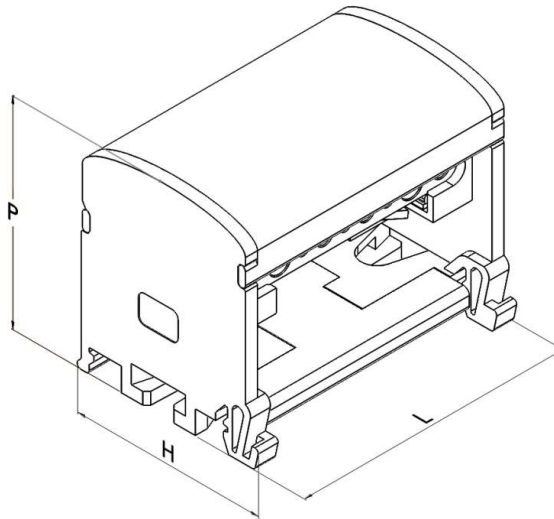


## Product Datasheet

### RPB0995



#### Main

Family	Distribution Blocks
Version	2 Poles 80 A
Code	RPB0995
Reference	RPB 80-07
Number per package	1
L (mm)	66
H (mm)	46
P (mm)	51
Fix. hole space (mm)	45
Weight (g)	108
Continuous working temperature (°C)	Max +85°C

## Technical Features

**Insulating body:** PA 6, UL 94-V0, gray RAL 7035

**Cover:** PC, UL 94-V2, transparent yellow

**Conduction block:** Brass

**Screws:** Galvanized steel

Index protection IP10

Insulation between phases

Front removable protection screen

Quick hook-up on DIN rails

**Compliant with standard IEC 60947-7-1**

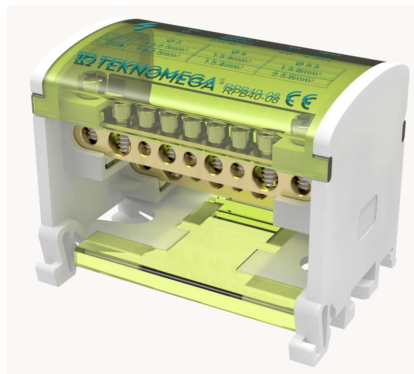
## Technical Data

Type	2 Poles, 7 Outputs					
In: 80 A	No.	Dim. (mm)	Stripped wire (mm <sup>2</sup> )	Wire with ferrule (mm <sup>2</sup> )	Torque (Nm)	Screw
IN →	1	∅ 7.5	10 to 25	6 to 16	2	M5
← OUT	5	∅ 4.5	1.5 to 4	1.5 to 4	1.2	M4
← OUT	2	∅ 5	1.5 to 4	1.5 to 4	2	M5
I <sub>cw</sub> (kA)	4.5					
I <sub>pk</sub> (kA)	20					
U <sub>i</sub> (V)	1000					

**I<sub>cc pk</sub>** = Short-circuit current peak value expressed in kA

**I<sub>cw</sub>** = Effective value of short-circuit current, duration equal to 1 second, expressed in kA as per standard IEC 60947-7-1

**U<sub>i</sub>** = Nominal Insulation voltage



Please contact Teknomega for non-specified tolerances.