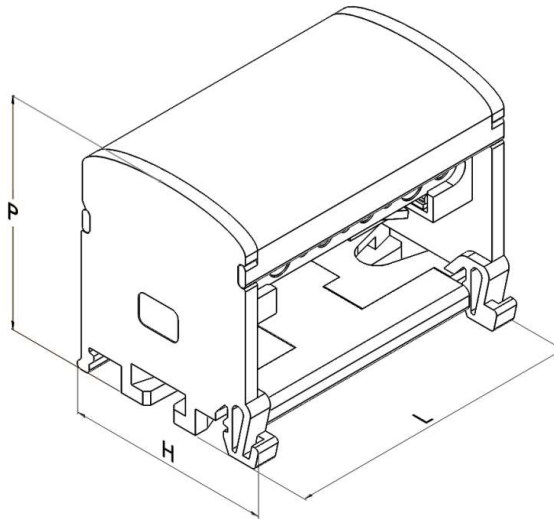


Product Datasheet

RPB0990



Main

Family	Distribution Blocks
Version	2 Poles 40 A
Code	RPB0990
Reference	RPB 40-08
Number per package	1
L (mm)	66
H (mm)	46
P (mm)	51
Fix. hole space (mm)	45
Weight (g)	82
Continuous working temperature (°C)	Max +85°C

Technical Features

Insulating body: PA 6, UL 94-V0, gray RAL 7035

Cover: PC, UL 94-V2, transparent yellow

Conduction block: Brass

Screws: Galvanized steel

Index protection IP10

Insulation between phases

Front removable protection screen

Quick hook-up on DIN rails

Compliant with standard IEC 60947-7-1

Technical Data

Type	2 Poles, 8 Outputs					
In: 40 A	No.	Dim. (mm)	Stripped wire (mm ²)	Wire with ferrule (mm ²)	Torque (Nm)	Screw
IN →	1	∅ 5.5	2.5 to 10	1.5 to 10	1.2	M4
← OUT	1	∅ 5.5	2.5 to 10	1.5 to 10	1.2	M4
← OUT	2	∅ 4	1.5 to 4	1.5 to 4	0.5	M3
← OUT	2		1.5 to 4	1.5 to 4	1.2	M4
← OUT	3	∅ 3	1.5 to 2.5	1.5 to 2.5	0.5	M3
I _{cw} (kA)	2					
I _{pk} (kA)	15					
U _i (V)	1000					

I_{cc pk} = Short-circuit current peak value expressed in kA

I_{cw} = Effective value of short-circuit current, duration equal to 1 second, expressed in kA as per standard IEC 60947-7-1

U_i = Nominal Insulation voltage



Please contact Teknomega for non-specified tolerances.