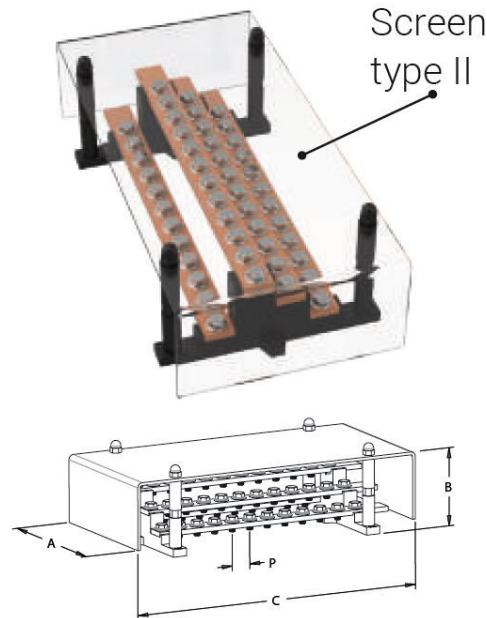


Product Datasheet

PSP1036



Main

Family	Distribution blocks
Version	Repartition supports in Kit
Code	PSP1036
Reference	PSP 250K-31
Number per package	1
In (A)	250
Icc rms (kA)	12
Bars cross-section	20x5
Dimensions (mm)	A = 150, B = 81, C = 310, P = 20
Number of	Inputs = 1 x Ø8.5, Outputs = 10 x M6
Type of support	PSP1000
No. Supports	2

The power inputs of distribution units in KITS form can be indifferently placed right or left.

Technical Features:

The KIT includes all that is needed to make the distribution unit, i.e. is made of:

4 Copper bars (see table Main for details)

Distribution unit supports

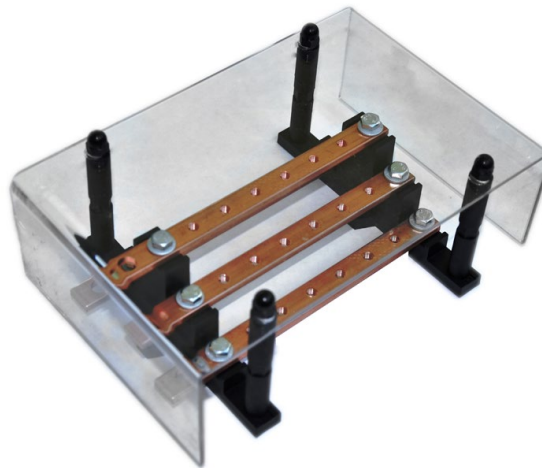
Support spacers for the protection screen

Protection screen already cut, bent and punched in the proper dimensions

-Type I: Front screen with top/bottom flaps

-Type II: Front and side screen

Screws



Please contact Teknomega for non-specified tolerances.