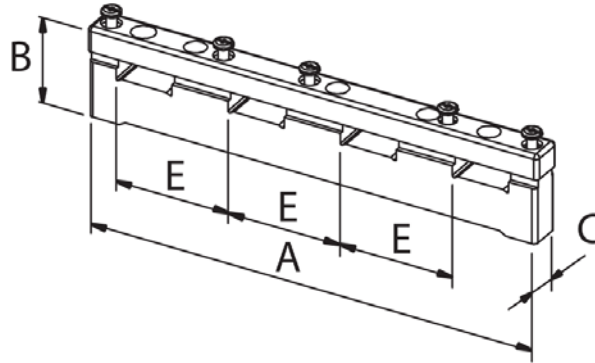


## Product Datasheet

### PSP1020



#### Main

Family	Repartition supports
Version	Repartition supports
Code	PSP1020
Reference	PSP 630TN
Number per package	1
Type	T+N
A (mm)	240
B (mm)	55
C (mm)	18
E (mm)	60

### Technical Features

Polyamide 6,6 reinforced with 25% fiberglass

Self-extinguishing UL 94-V0

Working temperature: -40°C to + 130°C

Glow wire test: 960°C

Comparative Tracking Index CTI: 350 V

Black color



### Distance between supports depending on Icc (short-circuit current)

**Icc pk** = Short-circuit current peak value expressed in kA

**Icc rms** = Effective value of short-circuit current, duration equal to 1 second, expressed in kA

Code	Bar cross-section	Icc pk (kA)	30	34	44.1	50.4	54.6	60.9	75.6
		Icc rms (kA)	15	17	21	24	26	29	36
		In (A)	Distance (mm)						
PSP1020	20x5	250	600		400		200*		
	20x10	500		600		400		200*	
	30x5	400			600			400	200*
	30x10	630			600			400	200

\*Icc rms = Effective value of short-circuit current, duration equal to 0.4 seconds, expressed in kA.



Example of use

Please contact Teknomega for non-specified tolerances.