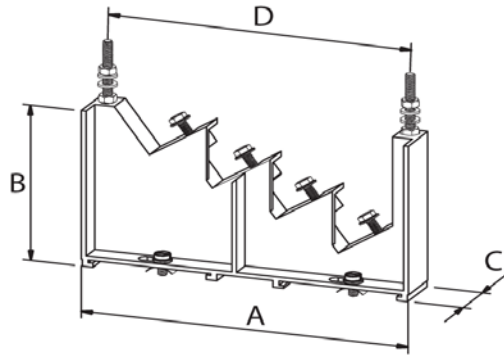


Product Datasheet

PSP1005



M6 screws for bar fastening are included

Protection screen fastening kit is included

Direct fastening kit on DIN rail is included

Main

Family	Repartition supports
Version	Repartition supports
Code	PSP1005
Reference	PSP 400
Number per package	2
Type	T+N
A (mm)	216
B (mm)	117
C (mm)	34
D (mm)	200

Technical Features

Polyamide 6,6 reinforced with 35% fiberglass

Self-extinguishing UL 94-V0

Working temperature: -40°C to + 130°C

Glow wire test GWF1: 960/1-2 °C/mm

Comparative Tracking Index CTI: 400 V

Black color



Distance between supports depending on Icc (short-circuit current)

Icc pk = Short-circuit current peak value expressed in kA

Icc rms = Effective value of short-circuit current, duration equal to 1 second, expressed in kA

Code	Bar cross-section	Icc pk (kA)	11.9	13.6	24	30	48.3
		Icc rms (kA)	7	8	12	15	23
		In (A)	Distance (mm)				
PSP1005	15x5	160	680	550	310	250	100
	20x5	250	780	640	360	260	100
	32x5	400	980	800	410	260	100
	20x10	500	980	980	410	260	100
	30x10	630	980	980	410	260	100



Example of use

Please contact Teknomega for non-specified tolerances.

Disclaimer: This documentation is not intended as a substitute for and is not to be used for determining suitability or reliability of these products for specific user applications