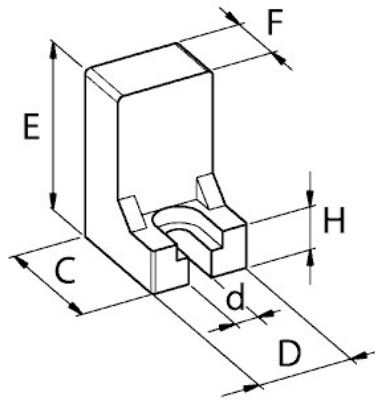


## Product Datasheet

### MRS7005



#### Main

Family	Earthing and Neutral Terminals
Version	Terminal supports
Code	MRS7005
Reference	MRS-S 12x8
Number per package	50
Terminal cross-section *A x B	12 x 8
C (mm)	22
D (mm)	17.5
E (mm)	31
F (mm)	11
H (mm)	8
d (mm)	4.2

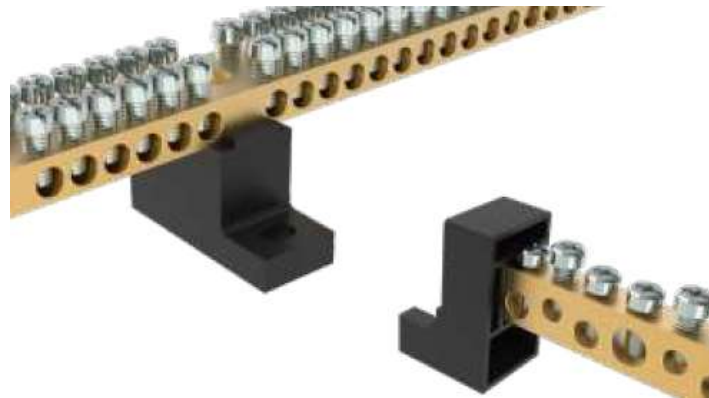
\* Terminal cross-section of brass terminals.

## Technical Features

**Material:** Polyamide 6

Self-extinguishing: UL-94 V0

Compatible with MRS1506



Please contact Teknomega for non-specified tolerances.