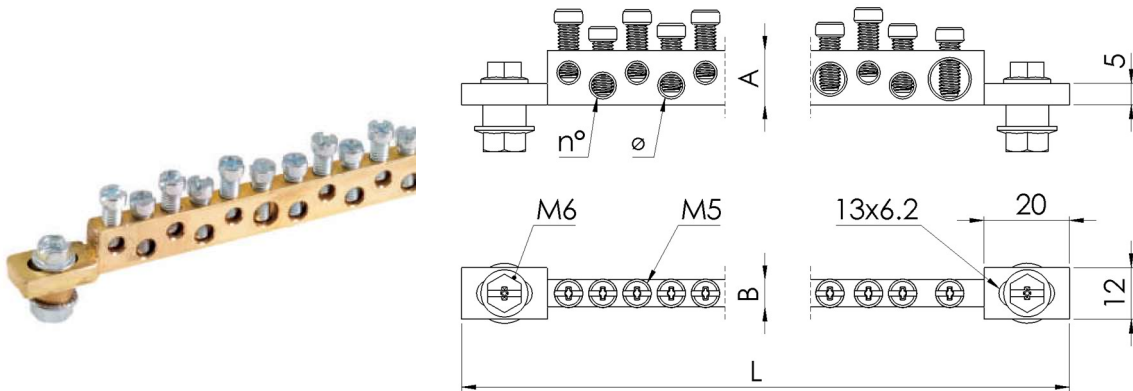


Product Datasheet

MRS5000



Main

Family	Earthing and Neutral Terminals
Version	Earthing terminals
Code	MRS5000
Reference	MRS 13-6-50
Number per package	1
Weight (kg)	0.353
L (mm)	462
A (mm)	13
B (mm)	6
Rated current (A)	80

Holes

Ø (mm)	n° holes	Stripped wire (mm ²)	Wire with ferrule (mm ²)	Tight. Torque (Nm)
9.1	1	16 ÷ 35	10 ÷ 35	2
7.0	6	4 ÷ 16	2.5 ÷ 16	2
5.3	24	2.5 ÷ 6	1.5 ÷ 6	1.5
4.5	19	1.5 ÷ 4	0.75 ÷ 4	1.5

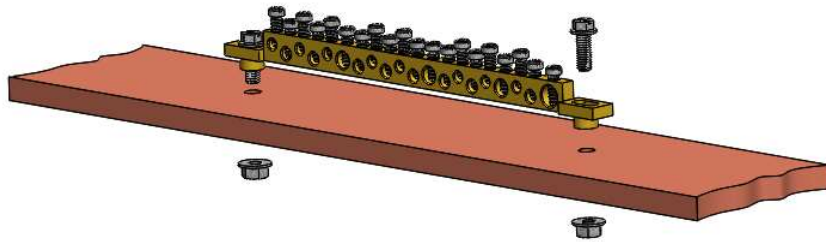
Technical Features

Material: Brass, electrical conductivity 27% IACS

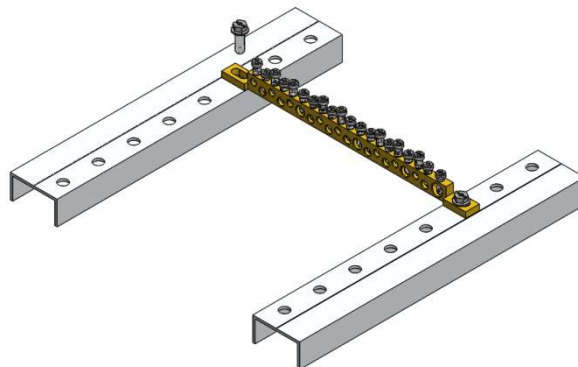
Complete with M6 fixing screws and M5 connection screws in galvanized steel

Rated current: 80 A

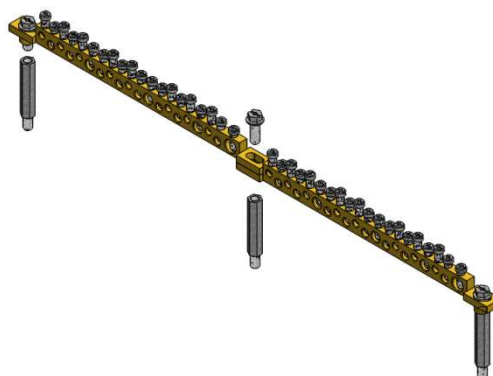
Universal fixing: direct fixing, fixing on copper bar, fixing on spacers and extension 2 connectors.



Fixing on copper bar



Fixing on profiles



Fixing on spacers

Please contact Teknomega for non-specified tolerances.