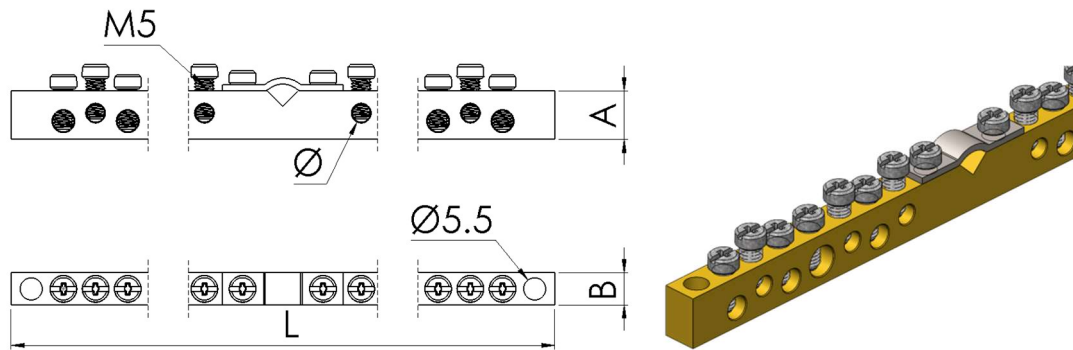


Product Datasheet

MRS4010



Main

Family	Earthing and Neutral Terminals
Version	Earthing terminals with cable collar
Code	MRS4010
Reference	MRS 12X8-42
Number per package	5
Weight (kg)	0.358
L (mm)	462
AxB (mm)	12x8
Rated current (A)	100
n° inputs	3

Holes

Ø (mm)	n° holes	Stripped wire (mm ²)	Wire with ferrule (mm ²)	Tight. Torque (Nm)
7.0	6	4 ÷ 16	2.5 ÷ 16	1.5
5.3	18	2.5 ÷ 6	1.5 ÷ 6	1.5
4.5	18	1.5 ÷ 4	0.75 ÷ 4	1.5

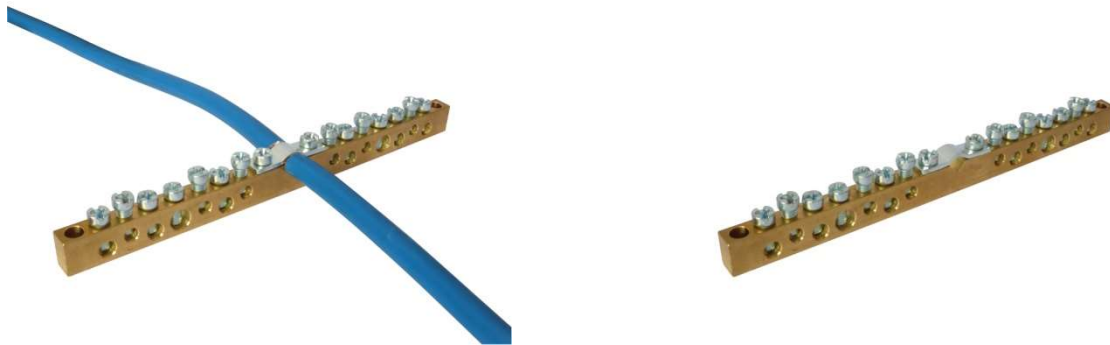
Technical Features

Material: Brass

Connection with cable collar up to 25 mm²

Ends with holes for easier fixing

Complete with M5 connection screws in galvanized steel



Please contact Teknomega for non-specified tolerances.