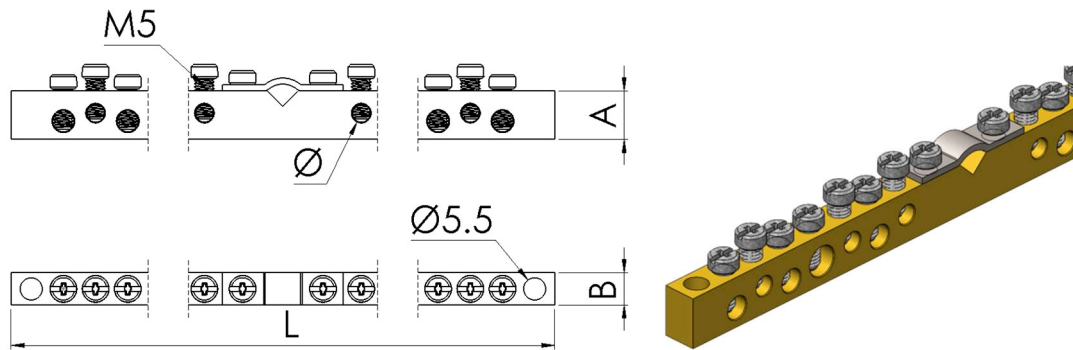


## Product Datasheet

### MRS4005



#### Main

Family	Earthing and Neutral Terminals
Version	Earthing terminals with cable collar
Code	MRS4005
Reference	MRS 12X8-28
Number per package	10
Weight (kg)	0.240
L (mm)	312
AxB (mm)	12x8
Rated current (A)	100
n° inputs	2

#### Holes

Ø (mm)	n° holes	Stripped wire (mm <sup>2</sup> )	Wire with ferrule (mm <sup>2</sup> )	Tight. Torque (Nm)
7.0	4	4 ÷ 16	2.5 ÷ 16	1.5
5.3	12	2.5 ÷ 6	1.5 ÷ 6	1.5
4.5	12	1.5 ÷ 4	0.75 ÷ 4	1.5

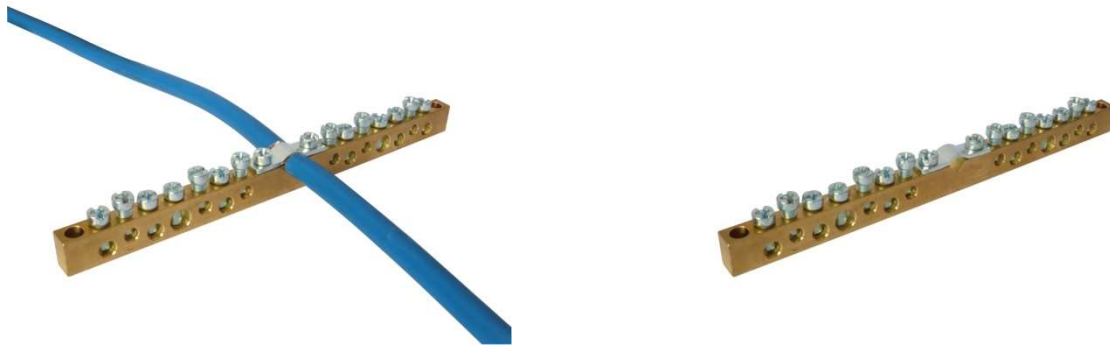
## Technical Features

**Material:** Brass

Connection with cable collar up to 25 mm<sup>2</sup>

Ends with holes for easier fixing

Complete with M5 connection screws in galvanized steel



Please contact Teknomega for non-specified tolerances.