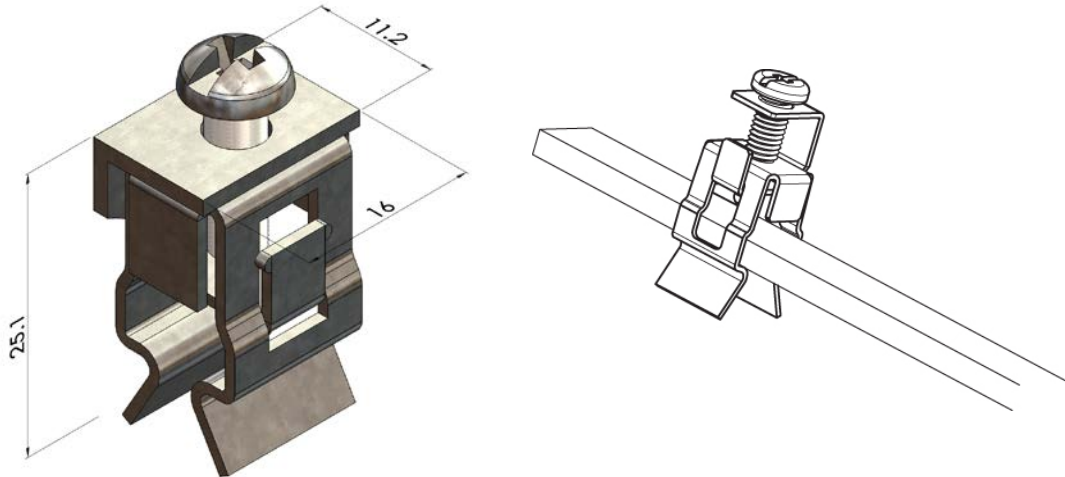


Product Datasheet

MCR2000



Main

Family	Accessories for busbars
Version	Terminal with clip
Code	MCR2000
Reference	MCR 4x12
Number per package	10
Bar cross-section (mm)	12x4
Number of cable	1
Cable cross-section (mm ²)	1.5 ÷ 16
Torque (Nm)	2

Technical Features

Passivated galvanized steel

Connections on solid bars 12x4 mm

Suitable for cable cross-sections: from 1.5 to 16 mm²

Compliant with: EN 60998-1

Cable clamps can connect 1 cable each

Advantages

Easy and quick to use, without having to punching, even on already mounted bars.

Mounting clip

Indirect clamping with plate to prevent damage to files.



Please contact Teknomega for non-specified tolerances.