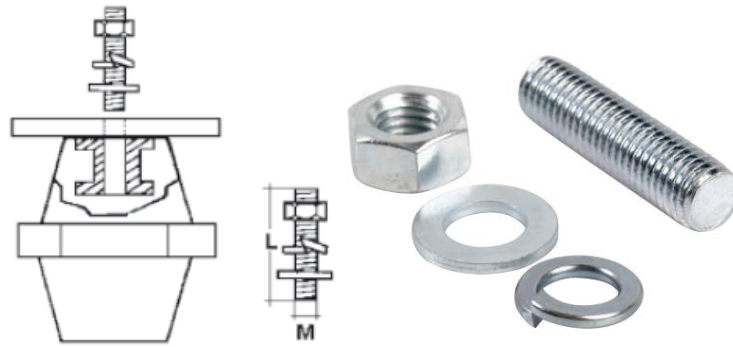


Product Datasheet

ISO3020



Main

Family	Wiring accessories
Version	Threaded studs for insulators
Code	ISO3020
Reference	ISO PM10x40
Number per package	25
M	M10
L	40

Technical Characteristics

Made of galvanized steel class 8.8

Complete with nut, flat washer and anti-loosening washer

Threaded studs with hexagonal socket, to be tightened with Allen wrenches

Please contact Teknomega for non-specified tolerances.