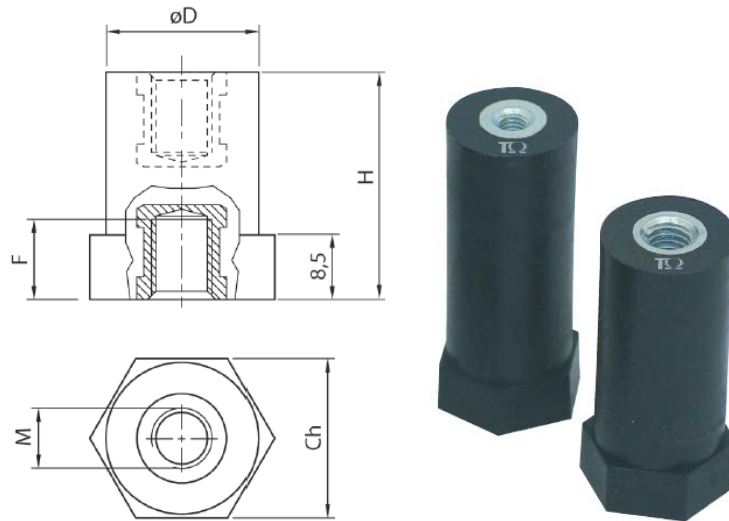


## Product Datasheet

### ISO2190



#### Main

|                       |                              |        |
|-----------------------|------------------------------|--------|
| Family                | Low voltage insulators       |        |
| Version               | Spacing columns in polyamide |        |
| Code                  | ISO2190                      |        |
| Reference             | CLN 35M8-20                  |        |
| Number per package    | 50                           |        |
| Weight (Kg)           | 0.026                        |        |
| Dimensions (mm)       | H=35 Ch=21 D=20 F=9          |        |
| Type                  | Hexagonal                    |        |
| Thread Size           | M8                           |        |
| Force Characteristics | Tightening torque*           | 25 Nm  |
|                       | Tensile strength             | 8 kN   |
|                       | Compressive strength         | 50 kN  |
|                       | Flexural strength            | 3.5 kN |

\*Maximum tightening torque value suggested for 8.8 class screws

## Technical Characteristics

### Insulation

Polyamide 6,6 reinforced with 35% fiberglass

Halogen Free

Self-extinguishing: UL 94-V0

Glow Wire Flammability Index: 960 °C

1,5% moisture absorption as per ISO 62

Color: black

### Threaded Inserts

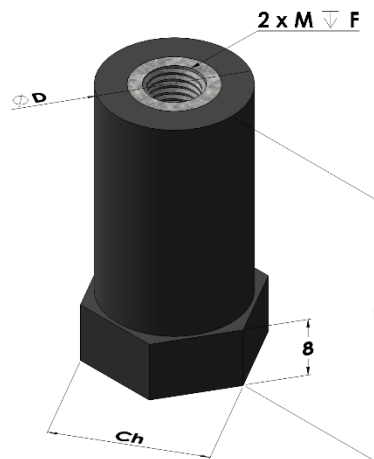
Galvanized steel

### Finished product

**Rated voltage:** 1000 V AC/1500 V DC

**Working temperature:** -40 ÷ 125 °C

UL Recognized with file n° 300607



Please contact Teknomega for non-specified tolerances.