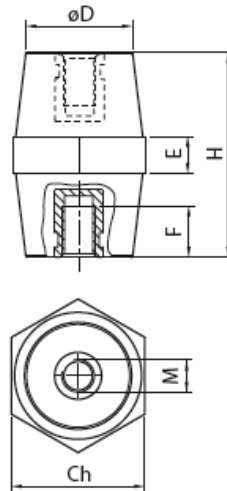


## Product Datasheet

### ISO2061



#### Main

Family	Low voltage insulators	
Version	Insulators in polyamide	
Code	ISO2061	
Reference	ISO 40M8W UL	
Number per package	25	
Weight (Kg)	0.108	
Dimensions (mm)	H=40 Ch=46 D=40 E=12 F=11	
Tyoe	Hexagonal	
Thread Size	M8	
Force Characteristics	Tightening torque*	25 Nm
	Tensile strength	15 kN
	Compressive strength	120 kN
	Flexural strength	6 kN

\*Maximum tightening torque value suggested for 8.8 class screws

## Technical Characteristics

### Insulation

Polyamide 6,6 reinforced with 35% fiberglass

Halogen Free

Self-extinguishing: UL 94-V0

Glow Wire Flammability Index: 960 °C

1,5% moisture absorption as per ISO 62

Color: black

### Threaded Inserts

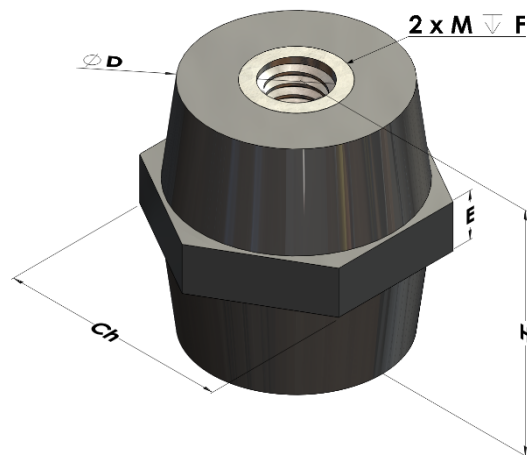
Galvanized steel

### Finished product

**Rated voltage:** 1000 V AC/1500 V DC

**Working temperature:** -40 ÷ 125 °C

UL Recognized with file n° 300607



Please contact Teknomega for non-specified tolerances.