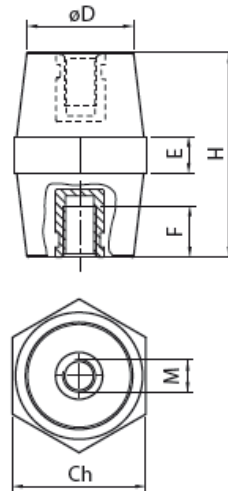


Product Datasheet

ISO2055



Main

| | | |
|-----------------------|--------------------------|-------|
| Family | Low voltage insulators | |
| Version | Insulators in polyamide | |
| Code | ISO2055 | |
| Reference | ISO 40M8 UL | |
| Number per package | 25 | |
| Weight (Kg) | 0.065 | |
| Dimensions (mm) | H=40 Ch=32 D=28 E=8 F=11 | |
| Type | Hexagonal | |
| Thread Size | M8 | |
| Force Characteristics | Tightening torque* | 25 Nm |
| | Tensile strength | 13 kN |
| | Compressive strength | 75 kN |
| | Flexural strength | 5 kN |

*Maximum tightening torque value suggested for 8.8 class screws

Technical Characteristics

Insulation

Polyamide 6,6 reinforced with 35% fiberglass

Halogen Free

Self-extinguishing: UL 94-V0

Glow Wire Flammability Index: 960 °C

1,5% moisture absorption as per ISO 62

Color: black

Threaded Inserts

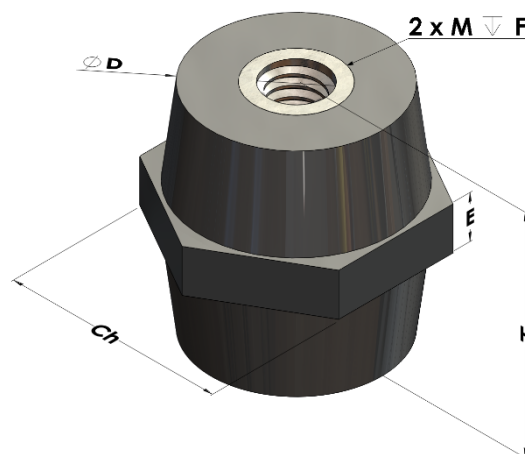
Galvanized steel

Finished product

Rated voltage: 1000 V AC/1500 V DC

Working temperature: -40 ÷ 125 °C

UL Recognized with file n° 300607



Please contact Teknomega for non-specified tolerances.