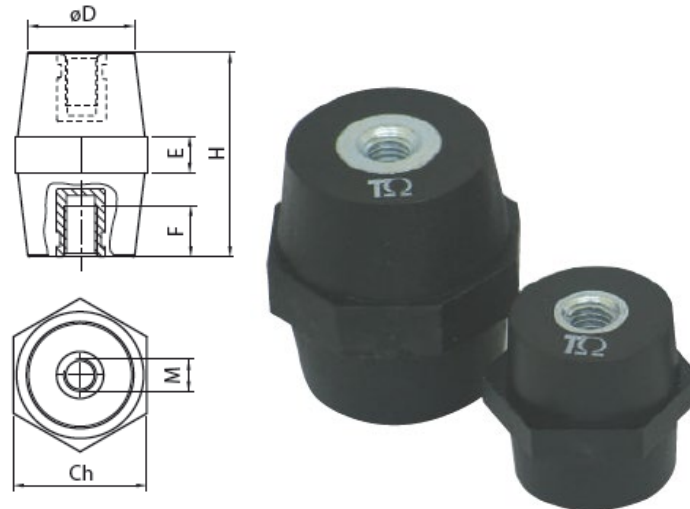


Product Datasheet

ISO2000



Main

Family	Low voltage insulators	
Version	Insulators in polyamide	
Code	ISO2000	
Reference	ISO 15M4 UL	
Number per package	50	
Weight (Kg)	0.005	
Dimensions (mm)	H = 15 Ch = 14 D = 12 E = 3 F = 4	
Type	Octagonal	
Thread size	M4	
Force Characteristics	Tightening torque*	3 Nm
	Tensile strength	1.5 kN
	Compressive strength	15 kN
	Flexural strength	1 kN

*Maximum tightening torque value suggested for 8.8 class screws

Technical Characteristics

Insulation

Polyamide 6,6 reinforced with 35% fiberglass

Halogen Free

Self-extinguishing: UL 94-V0

Glow Wire Flammability Index: 960 °C

1,5% moisture absorption as per ISO 62

Color: black

Threaded Inserts

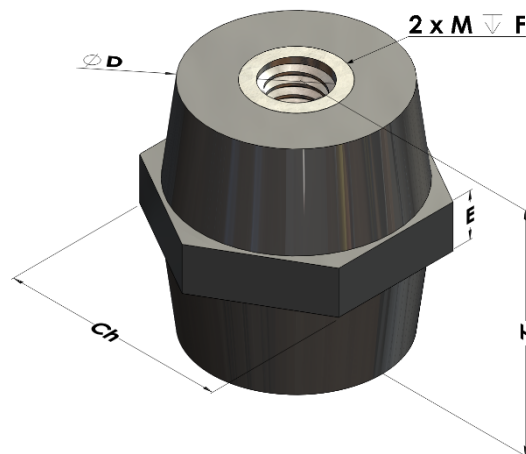
Galvanized steel

Finished product

Rated voltage: 1000 V AC/1500 V DC

Working temperature: -40 ÷ 125 °C

UL Recognized with file n° 300607



Please contact Teknomega for non-specified tolerances.