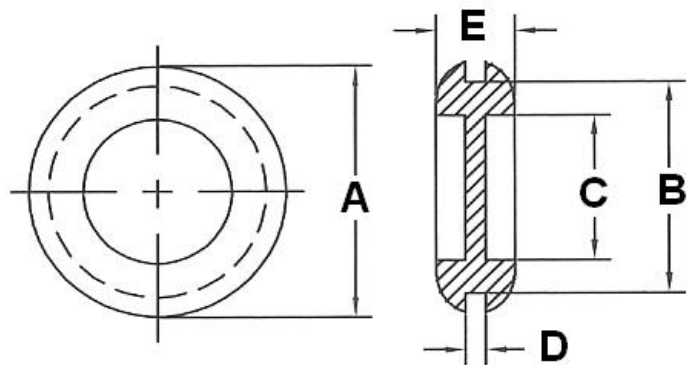


Product Datasheet

IPC1015



Main

Family	Wiring accessories
Version	Grommet inserts
Code	IPC1015
Reference	IPC DF20.5
Number per package	100
A (mm)	26
B (mm)	20.5
C (mm)	15
D (mm)	2
E (mm)	8.5

Technical Features

Material: PVC, black

Self-extinguishing: UL 94-HB

Working temperature: -20 °C ... +90 °C

Please contact Teknomega for non-specified tolerances.