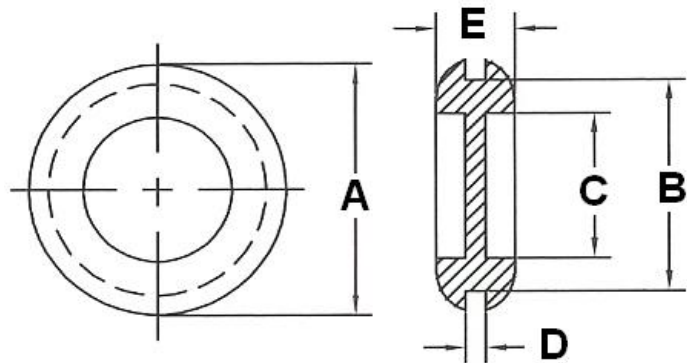


Product Datasheet

IPC1000



Main

Family	Wiring accessories
Version	Grommet inserts
Code	IPC1000
Reference	IPC DF13
Number per package	100
A (mm)	17
B (mm)	13
C (mm)	8.5
D (mm)	2
E (mm)	7

Technical Features

Material: PVC, black

Self-extinguishing: UL 94-HB

Working temperature: -20 °C ... +90 °C

Please contact Teknomega for non-specified tolerances.