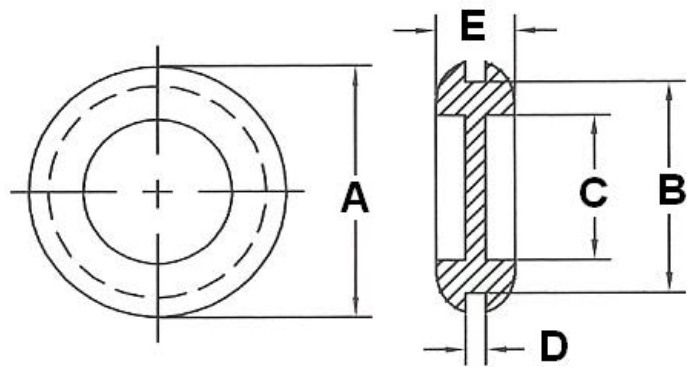


## Product Datasheet

### IPC1005



#### Main

Family	Wiring accessories
Version	Grommet inserts
Code	IPC1005
Reference	IPC DF15.5
Number per package	100
A (mm)	20
B (mm)	15.5
C (mm)	10.5
D (mm)	2
E (mm)	7.5

#### Technical Features

**Material:** PVC, black

**Self-extinguishing:** UL 94-HB

**Working temperature:** -20 °C ... +90 °C

Please contact Teknomega for non-specified tolerances.