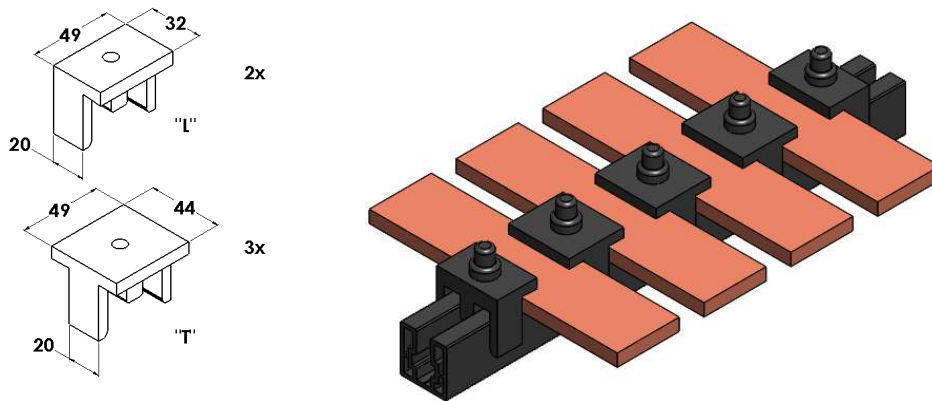


Product Datasheet

FLT1020



The Ω FLAT bar support is a **UNIVERSAL, QUICK and CONVENIENT** solution for supporting bars, copper or aluminium. In a flat configuration.

It is mainly made of two elements:

- 1) Supporting and fastening profile
- 2) Set of blocks and screws to tighten the bars

The Ω FLAT bar support can also be used as a support system for flexible insulated bars COFLEX and J-LINK.

Main

Family	Bar supports
Version	Insulating block and screws
Code	FLT1020
Reference	FLT LT-TN
Number per package	1
Phases	T+N
No. "L" blocks	2
No. "T" blocks	3
S min-max (mm)	4-10
H min-max (mm)	30-100
Spacing between phases (mm)	H + 20

Technical Features

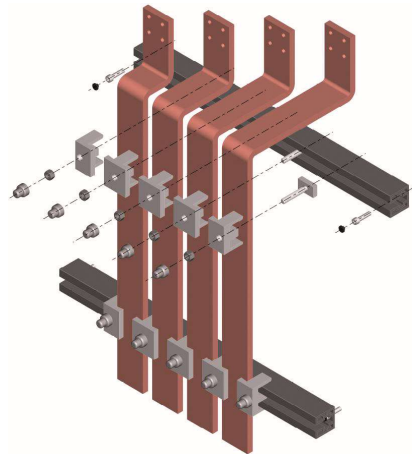
Rated Voltage: 1000 V AC / 1500 V DC

Max working temperature: 140 °C

Support Rail

Support rail FLT1000 is not included and must be ordered separately

Please see FLT1000 datasheet for his specification



Insulating blocks

Material: polyamide 6,6 reinforced with 30% fiberglass

Self-extinguishing UL 94-V0

Black color

Halogen Free

The set consists of insulating blocks, hammer head screws M8x45, hexagonal nuts M8 and insulating nut caps. Complete with hex socket head cap screws M6x25 to fasten rail FLT1000 and plastic caps to insulate the head screws M6x25.

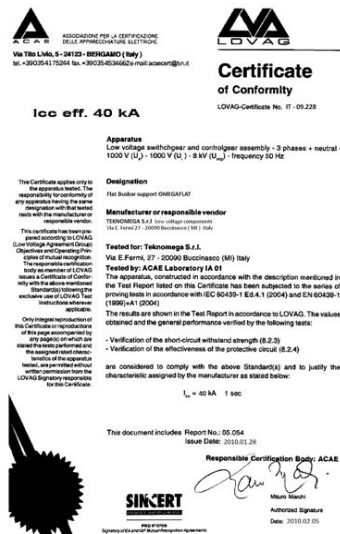


Certifications

Compliant with standard IEC 61439-2

TESTED in ACAE laboratory IA01

CERTIFICATES ACAE-LOVAG No. IT 10.003



Please contact Teknomega for non-specified tolerances.