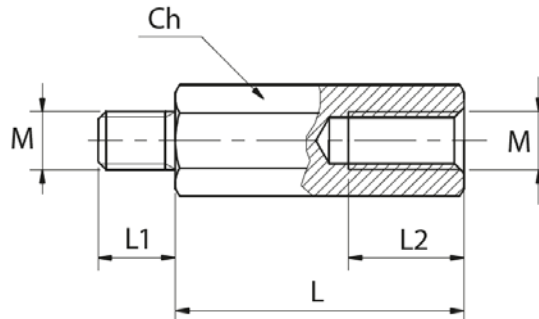


## Product Datasheet

### DZP1030



#### Main

Family	Wiring accessories
Version	Plastic spacers
Code	DZP1030
Reference	DZP 70M5
Number per package	50
Bolt size	M5
Ch (mm)	13
L (mm)	70
L1 (mm)	7
L2 (mm)	7

### Technical Features

**Material:** polystyrene

**Self-extinguishing:** UL 94-HB

**Working temperature:** -40 °C ... +110 °C

**Insulation voltage:** 1000 V

**M-F inserts:** galvanized steel



Please contact Teknomega for non-specified tolerances.