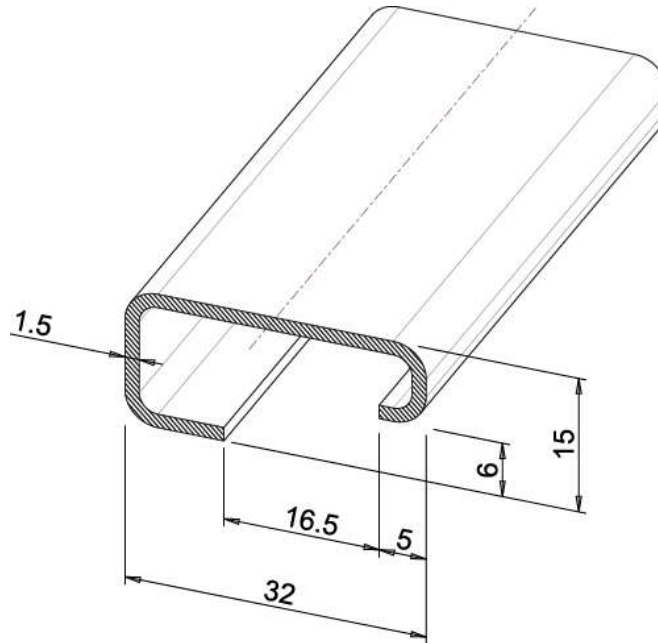


Product Datasheet

DIN3075



Main

Family	DIN rails and profiles
Version	Galvanized steel DX51D Sendzimir Z200
Code	DIN3075
Reference	DIN ANFZ-3
Type	Asymmetrical (G) solid DIN rail, 32 x 15 mm
Length (m)	3
Number per package	10
Weight (kg)	2.19
Holes	None

Technical Features

Material: Galvanized steel DX51D Sendzimir Z200

Compliance to EN 60715 – DIN 46277

Standard length: 3 meters



Please contact Teknomega for non-specified tolerances.