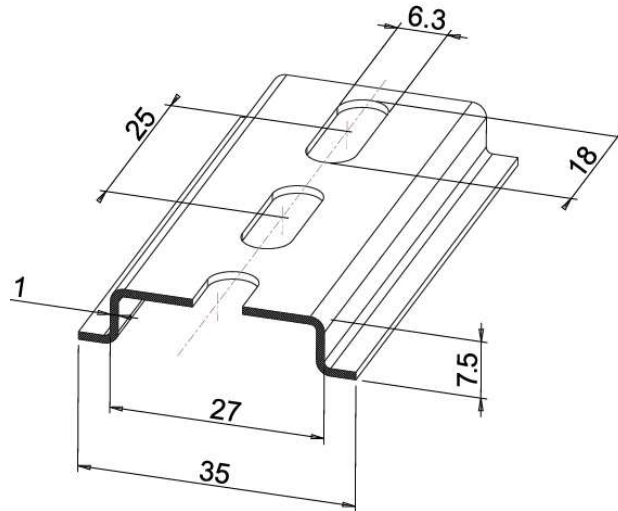


Product Datasheet

DIN3065



Main

Family	DIN rails and profiles
Version	Galvanized steel DX51D Sendzimir Z200
Code	DIN3065
Reference	DIN F35H7Z-3
Type	Symmetrical (Ω) punched DIN rail, 35 x 7.5 mm
Length (m)	3
Number per package	10
Weight (kg)	0.90
Holes	Yes

Technical Features

Material: Galvanized steel DX51D Sendzimir Z200

Compliance to EN 60715 – DIN 46277

Standard length: 3 meters



Please contact Teknomega for non-specified tolerances.