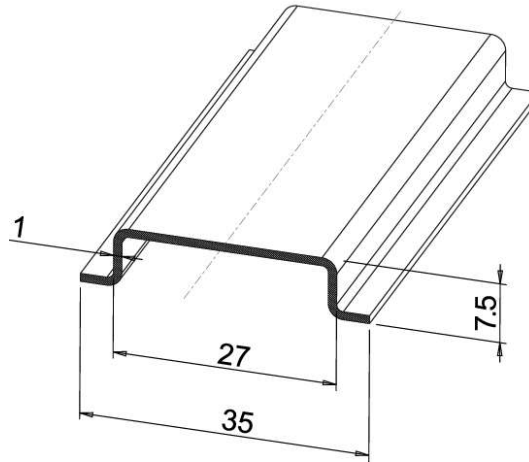


## Product Datasheet

### DIN3055



#### Main

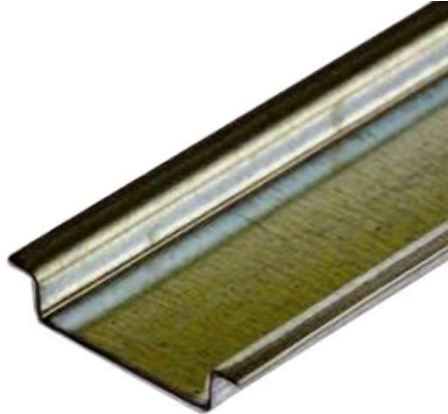
Family	DIN rails and profiles
Version	Galvanized steel DX51D Sendzimir Z200
Code	DIN3055
Reference	DIN NF35H7Z-3
Type	Symmetrical ( <b>Ω</b> ) solid DIN rail, 35 x 7.5 mm
Length (m)	3
Number per package	10
Weight (kg)	1.05
Holes	None

## Technical Features

**Material:** Galvanized steel DX51D Sendzimir Z200

Compliance to EN 60715 – DIN 46277

Standard length: 3 meters



Please contact Teknomega for non-specified tolerances.