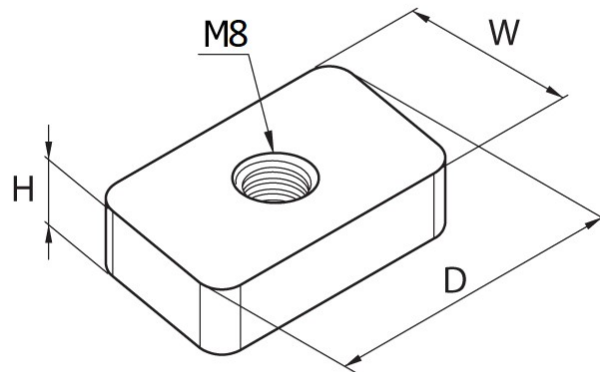


Product Datasheet

DIN1250



Main

| | |
|--------------------|----------------------------|
| Family | DIN rails and profiles |
| Version | Rhombus nuts for C-Profile |
| Code | DIN1250 |
| Reference | DIN C30M8 |
| Number per package | 10 |
| D | 27 |
| W | 16 |
| H | 6 |
| M | M8 |
| Tight. Torque (Nm) | 20 |

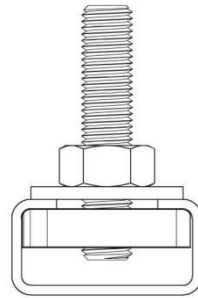
Technical Features

Material: DD11 steel EN 10111, electrogalvanized 7-8 μm

Advantages

It can be inserted into any point of the C-profile slot by 90° rotation

This side in contact with the C-profil has a non-slip knurled finish



Please contact Teknomega for non-specified tolerances.