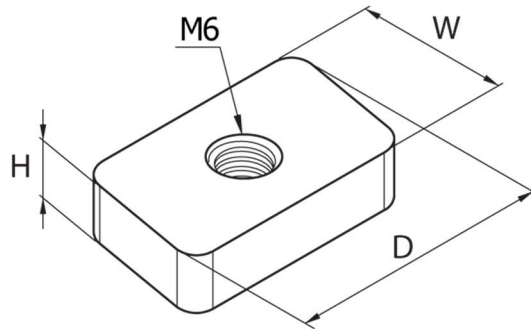


Product Datasheet

DIN1200



Main

Family	DIN rails and profiles
Version	Rhombus nuts for C-Profile
Code	DIN1200
Reference	DIN C30M6
Number per package	10
D	27
W	16
H	4
M	M6
Tight. Torque (Nm)	5

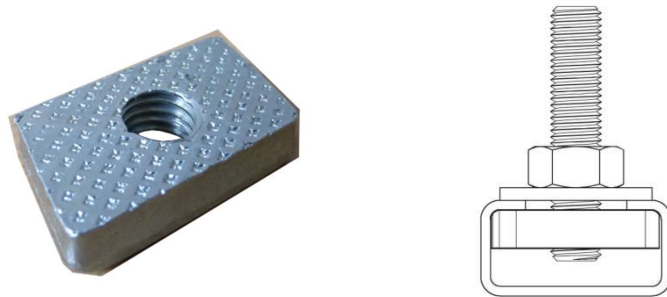
Technical Features

Material: DD11 steel EN 10111, electrogalvanized 7-8 μm

Advantages

It can be inserted into any point of the C-profile slot by 90° rotation

This side in contact with the C-profil has a non-slip knurled finish



Please contact Teknomega for non-specified tolerances.