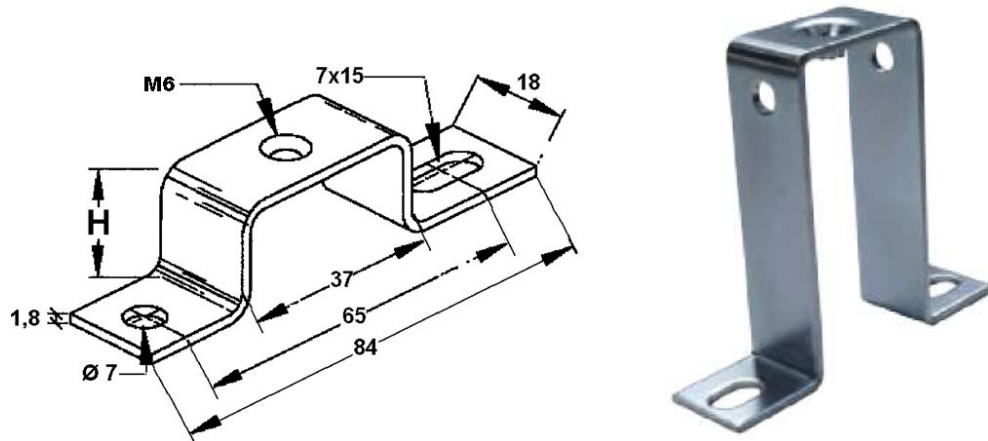


## Product Datasheet

### DIN1125



#### Main

Family	Accessories for DIN rails
Version	Flat supports
Code	DIN1125
Reference	DIN STC 25-6
Number per package	10
H (mm)	25

#### Technical Features

**Material:** Passivated galvanized steel

Please contact Teknomega for non-specified tolerances.