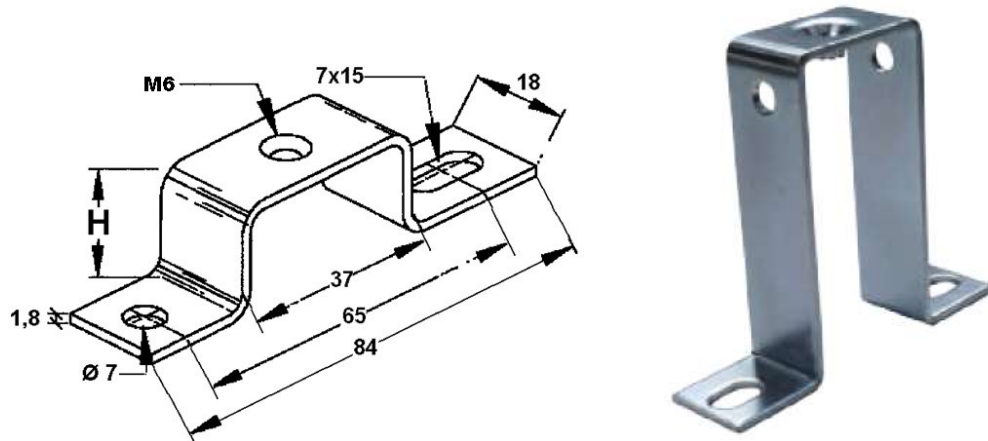


Product Datasheet

DIN1120



Main

Family	Accessories for DIN rails
Version	Flat supports
Code	DIN1120
Reference	DIN STC 20-6
Number per package	10
H (mm)	20

Technical Features

Material: Passivated galvanized steel

Please contact Teknomega for non-specified tolerances.