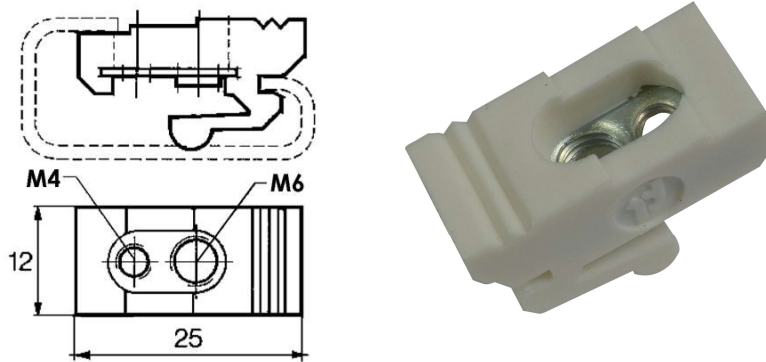


Product Datasheet

DIN1105



Main

Family	Accessories for DIN rails
Version	Clip for asymmetrical "G" DIN Rail
Code	DIN1105
Reference	DIN GKLIP 4-6
Number per package	100
M	M4 – M6

Technical Features

Material: PA 6,6 with passivated galvanized steel inserts

Clip compatible with rails ASYMMETRICAL DIN "G" 32x15

Please contact Teknomega for non-specified tolerances.