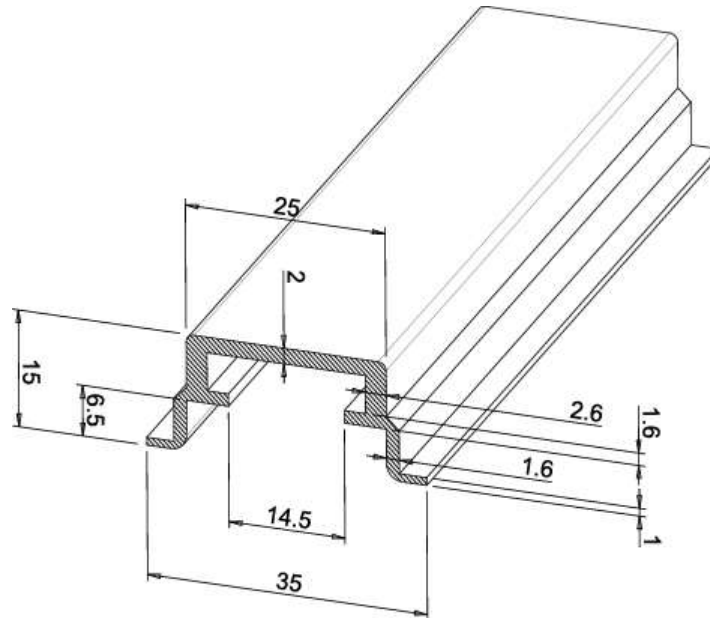


Product Datasheet

DIN1085



Main

Family	DIN rails and profiles
Version	Aluminium
Code	DIN1085
Reference	DIN NFAL
Type	Symmetrical solid DIN rail, 35 x 15 mm
Length (m)	2
Number per package	20
Weight (kg)	0.66

Technical Features

Material: EN AW-ALMgSi UNI EN 573/3 Al 6060 T6

Compliant to EN 60715 – DIN 46277

Standard length: 2 meters



Please contact Teknomega for non-specified tolerances.