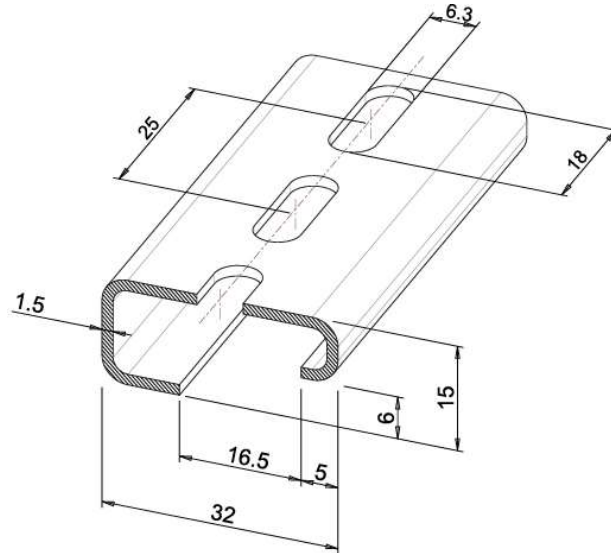


## Product Datasheet

### DIN1080



#### Main

Family	DIN rails and profiles
Version	Galvanized steel DX51D Sendzimir Z200
Code	DIN1080
Reference	DIN AFZ
Type	Asymmetrical (G) punched DIN rail, 32 x 15 mm
Length (m)	2
Number per package	10
Weight (kg)	1.38
Holes	Yes

## Technical Features

**Material:** Galvanized steel DX51D Sendzimir Z200

Compliance to EN 60715 – DIN 46277

Standard length: 2 meters



Please contact Teknomega for non-specified tolerances.