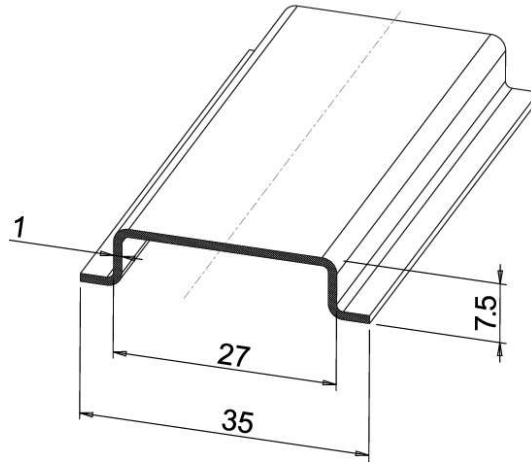


Product Datasheet

DIN1055



Main

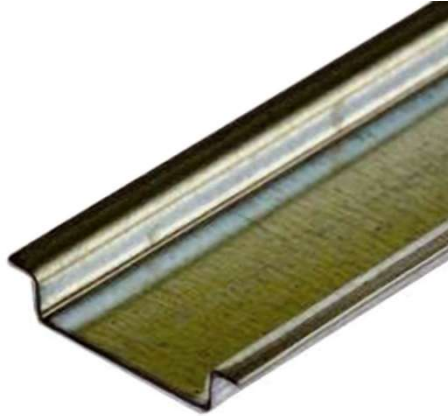
Family	DIN rails and profiles
Version	Galvanized steel DX51D Sendzimir Z200
Code	DIN1055
Reference	DIN NF35H7Z
Type	Symmetrical (Ω) solid DIN rail, 35 x 7.5 mm
Length (m)	2
Number per package	20
Weight (kg)	0.70
Holes	None

Technical Features

Material: Galvanized steel DX51D Sendzimir Z200

Compliance to EN 60715 – DIN 46277

Standard length: 2 meters



Please contact Teknomega for non-specified tolerances.