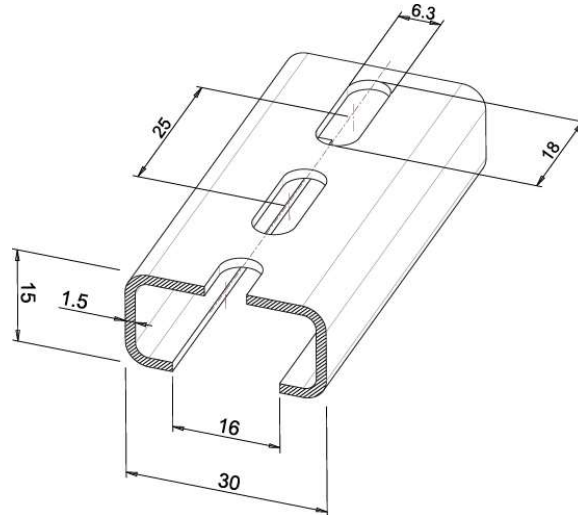


Product Datasheet

DIN1050



Main

Family	DIN rails and profiles
Version	Passivated galvanized steel
Code	DIN1050
Reference	CFT30H15
Type	Symmetrical (C) punched DIN rail, 30 x 15 mm
Length (m)	2
Number per package	10
Weight (kg)	1.3
Holes	Yes

Technical Features

Material: Passivated galvanized DC01 steel, minimum thickness 6 µm

Compliance to EN 60715 – DIN 46277

Standard length: 2 meters



Please contact Teknomega for non-specified tolerances.