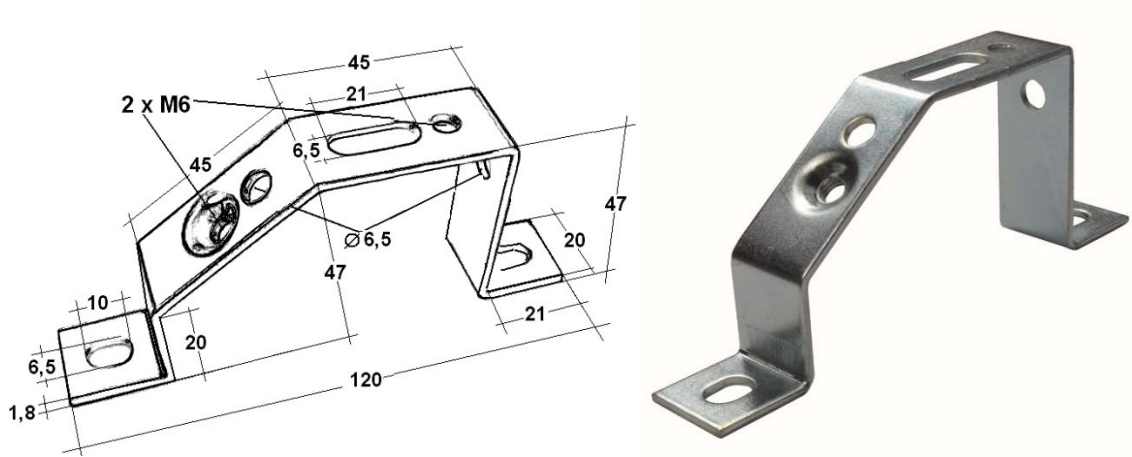


Product Datasheet

DIN1036



Main

Family	Accessories for DIN rails
Version	45° Support
Code	DIN1036
Reference	DIN ST 45PM6
Number per package	10
M	M6

Technical Features

Material: Passivated galvanized steel

Please contact Teknomega for non-specified tolerances.