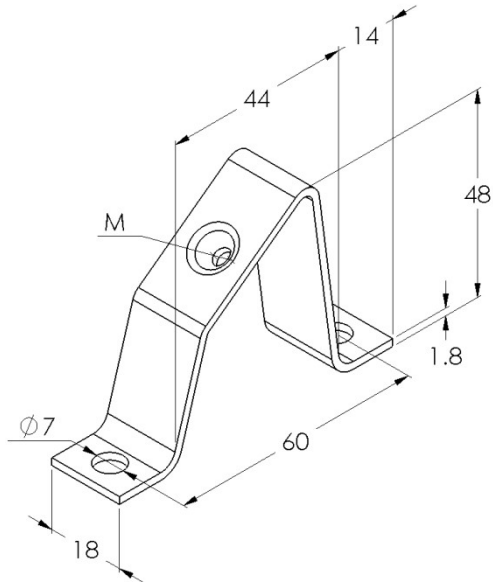


Product Datasheet

DIN1035



Main

Family	Accessories for DIN rails
Version	45° Support
Code	DIN1035
Reference	DIN ST6
Number per package	10
M	M6

Technical Features

Material: Passivated galvanized steel

Please contact Teknomega for non-specified tolerances.