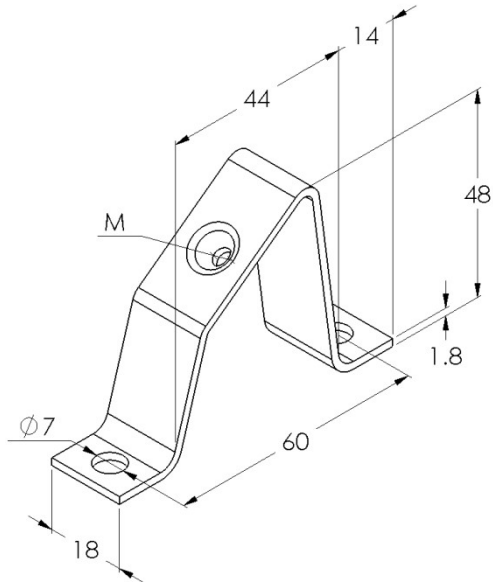


## Product Datasheet

### DIN1030



#### Main

Family	Accessories for DIN rails
Version	45° Support
Code	DIN1030
Reference	DIN ST5
Number per package	10
M	M5

#### Technical Features

**Material:** Passivated galvanized steel

Please contact Teknomega for non-specified tolerances.