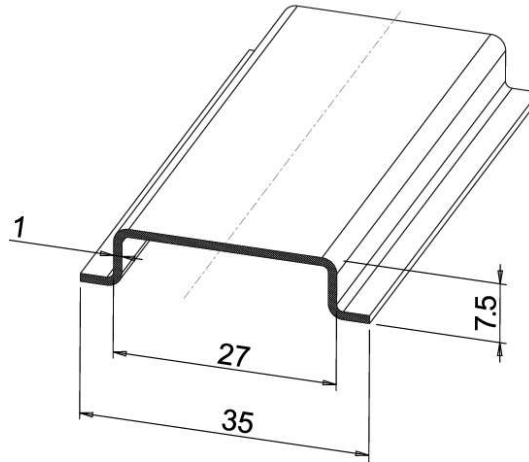


## Product Datasheet

### DIN1000



#### Main

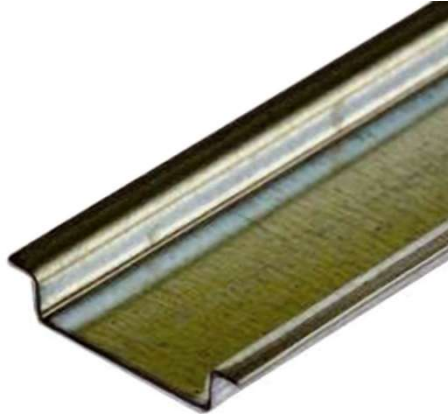
Family	DIN rails and profiles
Version	Passivated galvanized steel
Code	DIN1000
Reference	DIN NF35H7
Type	Symmetrical ( <b>Ω</b> ) solid DIN rail, 35 x 7.5 mm
Length (m)	2
Number per package	20
Weight (kg)	0.70
Holes	None

## Technical Features

**Material:** Passivated galvanized DC01 steel, minimum thickness 6  $\mu\text{m}$

Compliance to EN 60715 – DIN 46277

Standard length: 2 meters



Please contact Teknomega for non-specified tolerances.